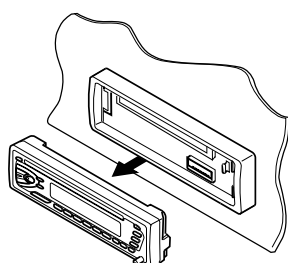
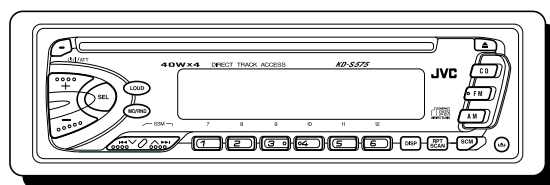


JVC

SERVICE MANUAL

CD RECEIVER

KD-S575




Area Suffix
U ---- Other Area

Contents

Safety precaution	1-2
Preventing static electricity	1-3
Location of main parts	1-4
Disassembly method	1-5
Adjustment method	1-10
Flow of functional operation until TOC read	1-11
Maintenance of laser pickup	1-13
Replacement of laser pickup	1-13
Description of major ICs	1-14

Safety precaution

 **CAUTION** Burrs formed during molding may be left over on some parts of the chassis. Therefore, pay attention to such burrs in the case of performing repair of this system.

 **CAUTION** Please use enough caution not to see the beam directly or touch it in case of an adjustment or operation check.

Preventing static electricity

1. Grounding to prevent damage by static electricity

Electrostatic discharge (ESD), which occurs when static electricity stored in the body, fabric, etc. is discharged, can destroy the laser diode in the traverse unit (optical pickup). Take care to prevent this when performing repairs.

2. About the earth processing for the destruction prevention by static electricity

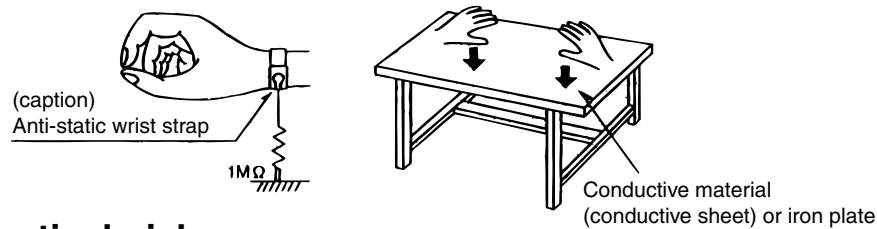
Static electricity in the work area can destroy the optical pickup (laser diode) in devices such as CD players. Be careful to use proper grounding in the area where repairs are being performed.

2-1 Ground the workbench

Ground the workbench by laying conductive material (such as a conductive sheet) or an iron plate over it before placing the traverse unit (optical pickup) on it.

2-2 Ground yourself

Use an anti-static wrist strap to release any static electricity built up in your body.



3. Handling the optical pickup

1. In order to maintain quality during transport and before installation, both sides of the laser diode on the replacement optical pickup are shorted. After replacement, return the shorted parts to their original condition. (Refer to the text.)
2. Do not use a tester to check the condition of the laser diode in the optical pickup. The tester's internal power source can easily destroy the laser diode.

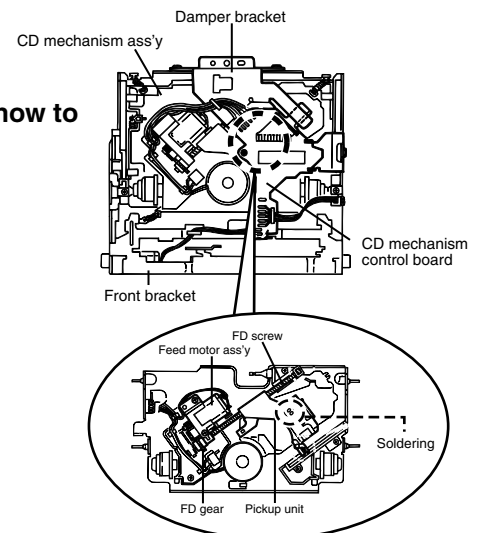
4. Handling the traverse unit (optical pickup)

1. Do not subject the traverse unit (optical pickup) to strong shocks, as it is a sensitive, complex unit.
2. Cut off the shorted part of the flexible cable using nippers, etc. after replacing the optical pickup. For specific details, refer to the replacement procedure in the text. Remove the anti-static pin when replacing the traverse unit. Be careful not to take too long a time when attaching it to the connector.
3. Handle the flexible cable carefully as it may break when subjected to strong force.
4. It is not possible to adjust the semi-fixed resistor that adjusts the laser power. Do not turn it

Attention when traverse unit is decomposed

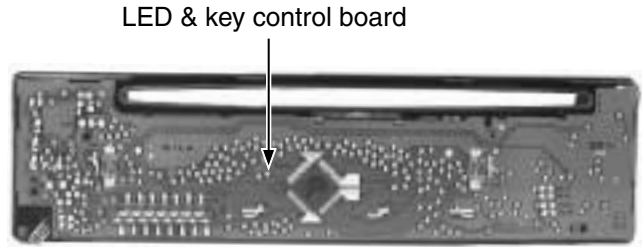
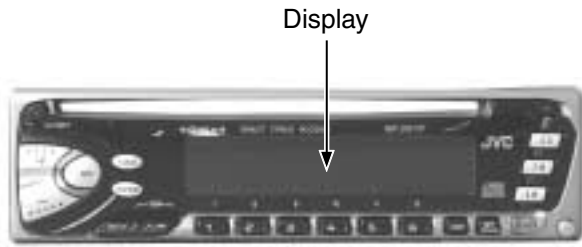
***Please refer to "Disassembly method" in the text for pick-up and how to detach the substrate.**

1. Solder is put up before the card wire is removed from connector on the CD substrate as shown in Figure.
(When the wire is removed without putting up solder, the CD pick-up assembly might destroy.)
2. Please remove solder after connecting the card wire with when you install picking up in the substrate.

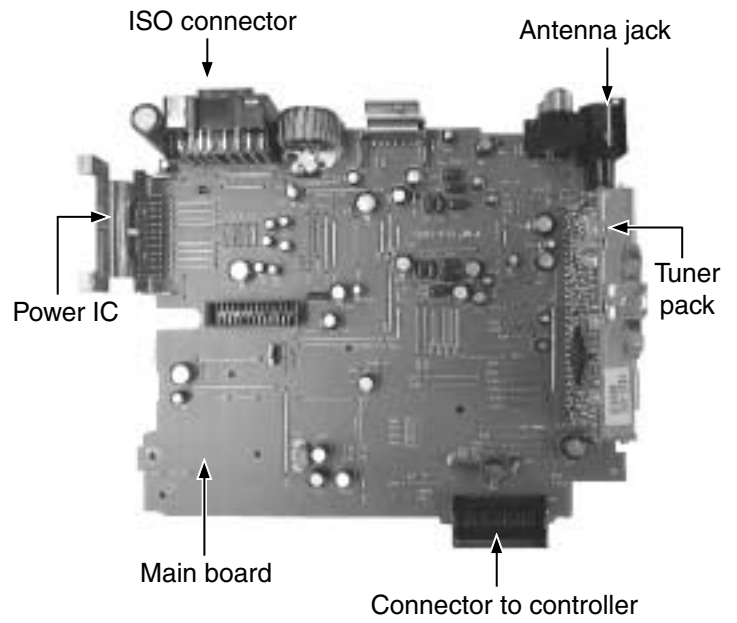
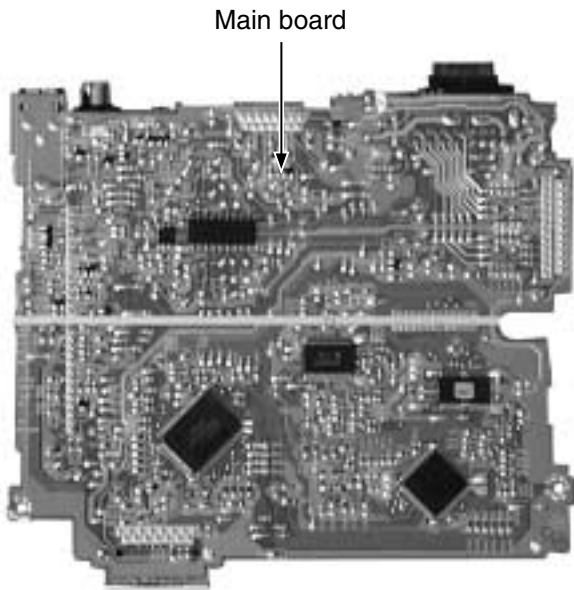


Location of main parts

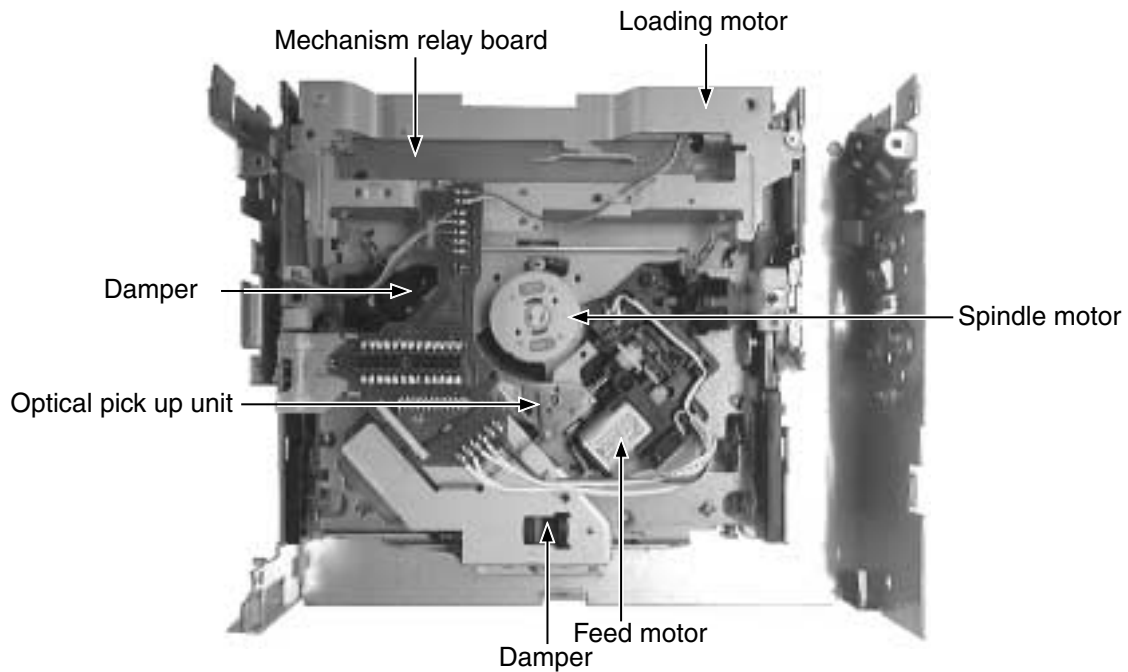
■ Control unit



■ Main unit



■ CD mechanism



Disassembly method

■ Removing the front panel unit (See Fig.1)

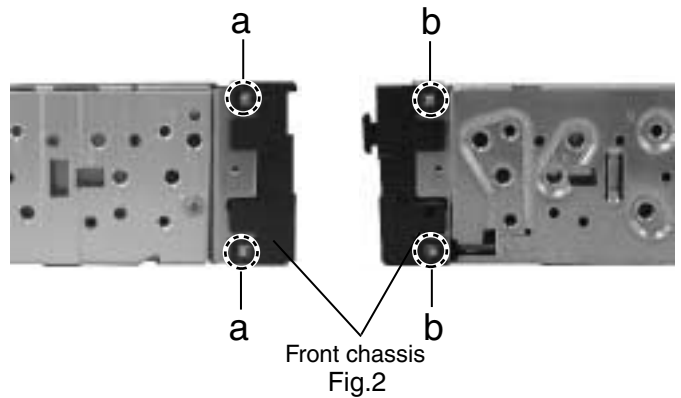
1. Press the release switch and remove the front panel unit in the direction of the arrow.



Fig.1

■ Removing the front chassis (See Fig.2)

1. Insert a screwdriver to the two joints a on the side of the front chassis and two joints b on the right side, then detach the front chassis toward the front side.



■ Removing the heat sink (See Fig.3)

1. Remove the three screws A attaching the heat sink on the left side of the body, and remove the heat sink.

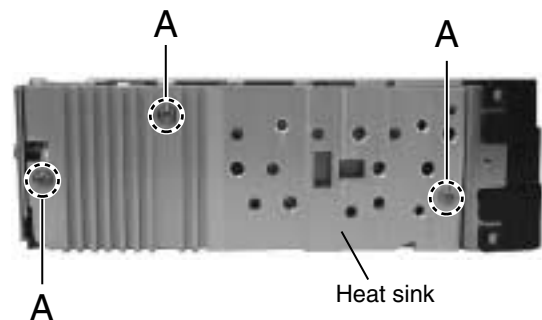


Fig. 3

■ Removing the bottom cover (See Fig.4)

1. Turn the body upside down.
2. Insert a screwdriver to the two joints c and two joints d on both sides of the body and the joint e on the back of the body, then detach the bottom cover from the body.

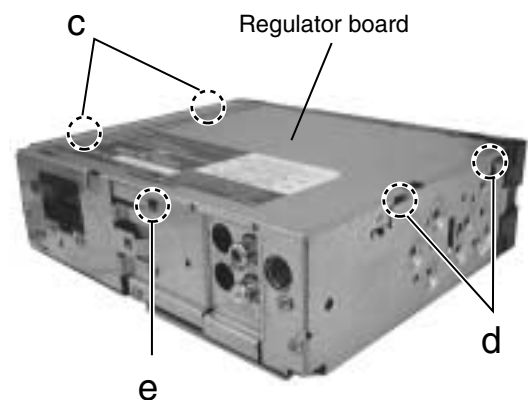


Fig. 4

■ **Removing the main board**

(See Fig.5 and 6)

1. Remove the front chassis.
2. Remove the bottom cover.
3. Remove the two screws B attaching the main board assembly on the bottom of the body.
4. Remove the three screws C attaching the main board assembly on the back of the body.
5. Disconnect connector CN501 on the main board assembly from the CD mechanism assembly.

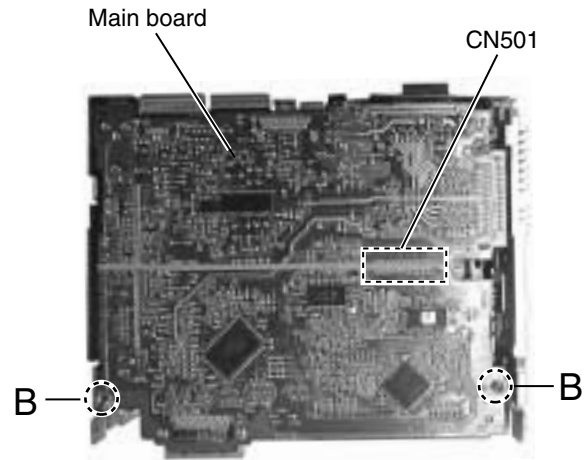


Fig.5

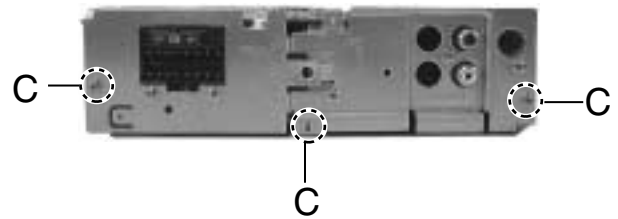


Fig. 6

■ **Removing the CD mechanism assembly**

(See Fig.7)

1. Remove the front chassis.
2. Remove the bottom cover.
3. Remove the main board assembly.
4. Remove the three screws D attaching the CD mechanism assembly from the top cover.

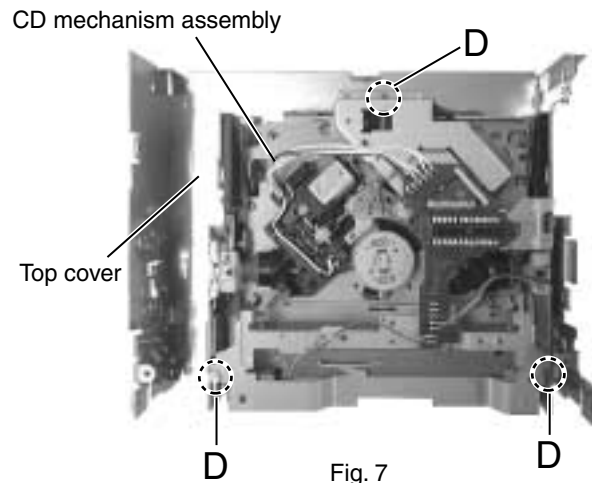


Fig. 7

■ **Removing the LCD & key control board**

(See Fig.8 and 9)

1. Remove the front chassis.
2. Remove the four screws E attaching the rear cover on the back of the front panel unit.
3. Remove the LCD & key control board from the front panel unit.

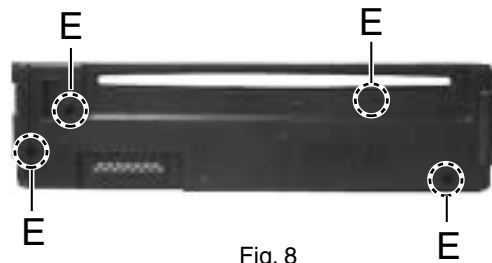


Fig. 8

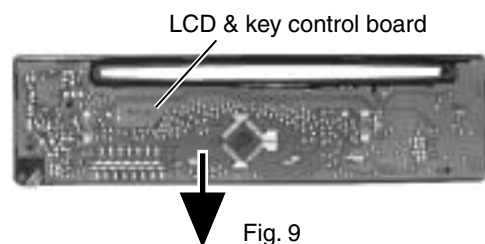


Fig. 9

<CD mechanism section>

■ Removing the CD mechanism control board (See Fig.1 and 2)

1. Unsolder the part **a** and **b** on the CD mechanism control board.
2. Remove the stator fixing the CD mechanism control board and the damper bracket (To remove the stator smoothly, pick up the center part).
3. Remove the screw **A** attaching the CD mechanism control board.
4. Remove the CD mechanism control board in the direction of the arrow while releasing it from the two damper bracket slots **d** and the front bracket slot **e**.
5. Disconnect the flexible wire from connector on the pickup unit.

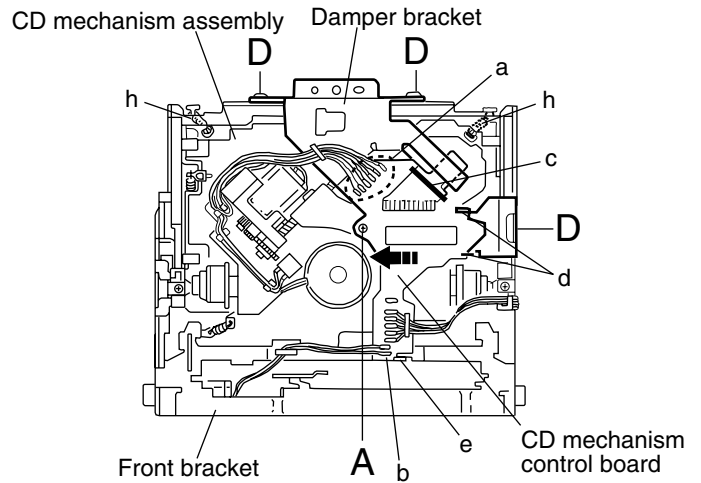


Fig.1

ATTENTION: Turn the FD gear in the direction of the arrow to move the entire pickup unit to the appropriate position where the flexible wire of the CD mechanism unit can be disconnected easily.
(Refer to Fig.2)

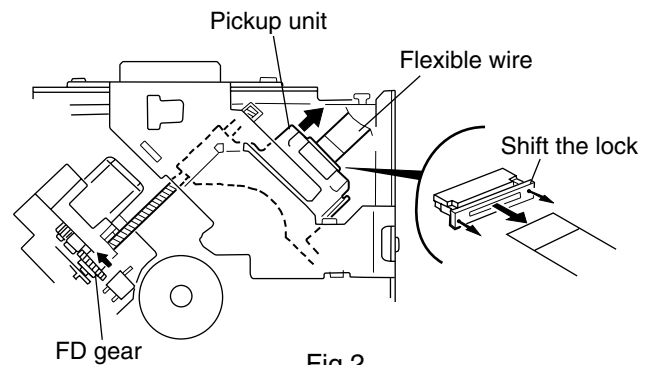


Fig.2

■ Removing the loading motor (See Fig.3 to 5)

- Prior to performing the following procedure, remove the CD mechanism control board.
1. Remove the two springs **f** attaching the CD mechanism assembly and the front bracket.
 2. Remove the two screws **B** and the front bracket while pulling the flame outward.
 3. Remove the belt and the screw **C** from the loading motor.

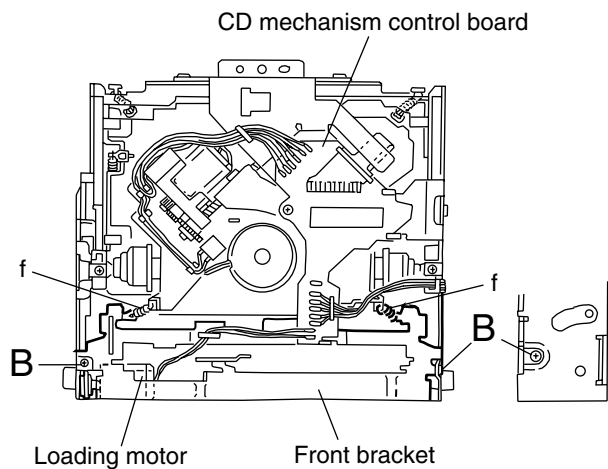


Fig.3

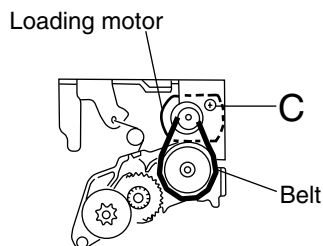


Fig.5

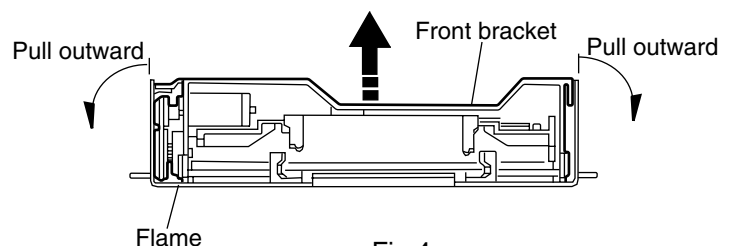


Fig.4

■ Removing the CD mechanism assembly
(See Fig.1, 6 to 9)

- Prior to performing the following procedure, remove the CD mechanism control board and the front bracket (loading motor).
1. Remove the three screws **D** and the damper bracket.
 2. Raise the both sides fix arms and move the fix plates in the direction of the arrow to place the four shafts **g** as shown in Fig.8 and 9.
 3. Remove the CD mechanism assembly and the two springs **h** attaching the flame.
 4. Remove the two screws **E** and both sides rear damper brackets from the dampers. Detach the CD mechanism assembly from the left side to the right side.

ATTENTION: The CD mechanism assembly can be removed if only the rear damper bracket on the left side is removed.

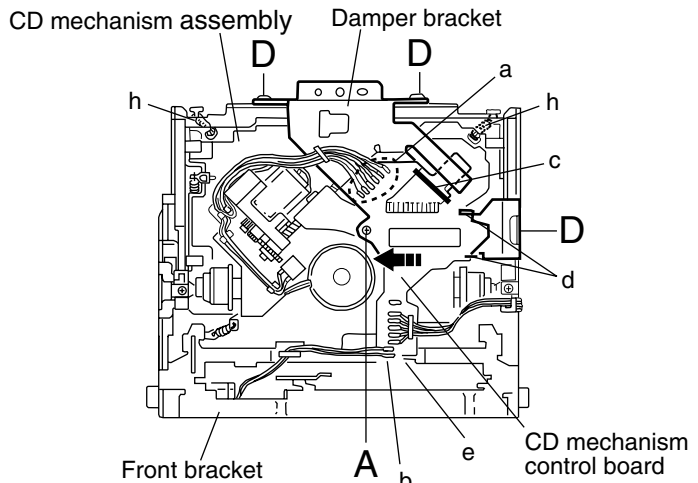


Fig.1

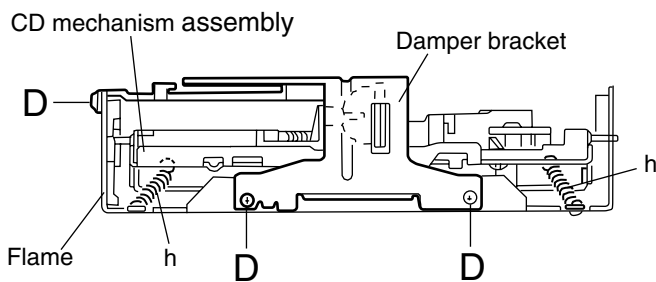


Fig.6

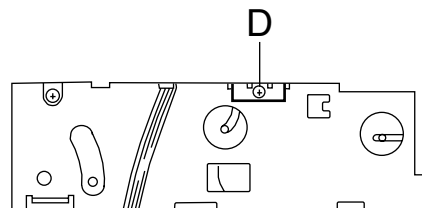


Fig.7

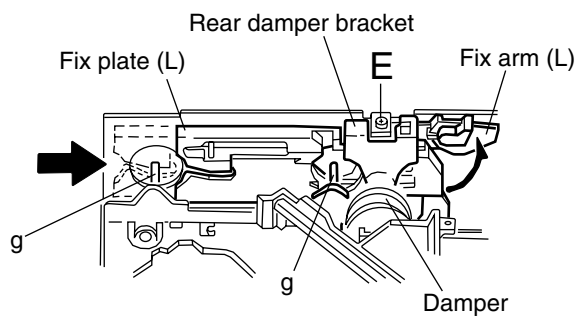


Fig.8

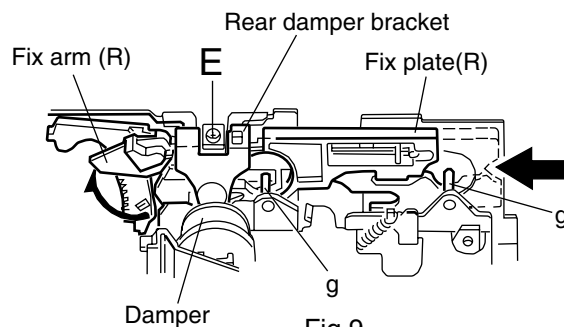


Fig.9

**■ Removing the feed motor assembly
(See Fig.10)**

- Prior to performing the following procedure, remove the CD mechanism control board, the front bracket (loading motor) and the CD mechanism assembly.
1. Remove the two screws **F** and the feed motor assembly.

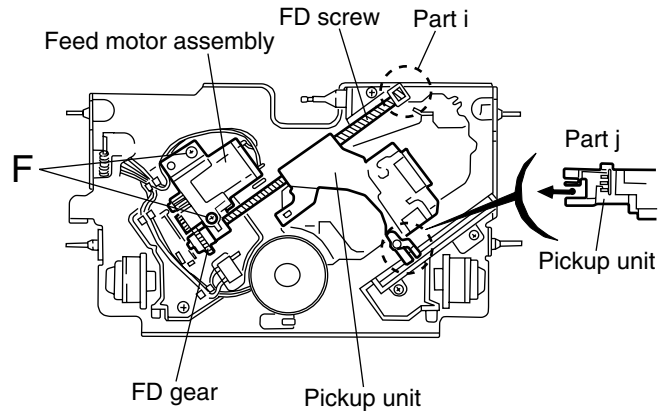


Fig.10

**■ Removing the pickup unit
(See Fig.10 and 11)**

- Prior to performing the following procedure, remove the CD mechanism control board, the front bracket (loading motor), the CD mechanism assembly and the feed motor assembly.
1. Detach the FD gear part of the pickup unit upward. Then remove the pickup unit while pulling out the part i of the FD screw.

ATTENTION: When reattaching the pickup unit, reattach the part **j** of the pickup unit, then the part **i** of the FD screw.

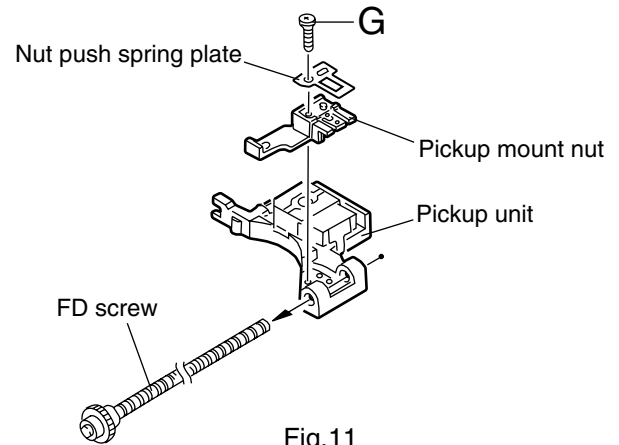


Fig.11

2. Remove the screw **G** attaching the nut push spring plate and the pickup mount nut from the pickup unit. Pull out the FD screw.

**■ Removing the spindle motor
(See Fig.12 and 13)**

- Prior to performing the following procedure, remove the CD mechanism control board, the front bracket (loading motor), the CD mechanism assembly and the feed motor assembly.
1. Turn up the CD mechanism assembly and remove the two springs **k** on both sides of the clammer arms. Open the clammer arm upward.
 2. Turn the turn table, and remove the two screws **H** and the spindle motor.

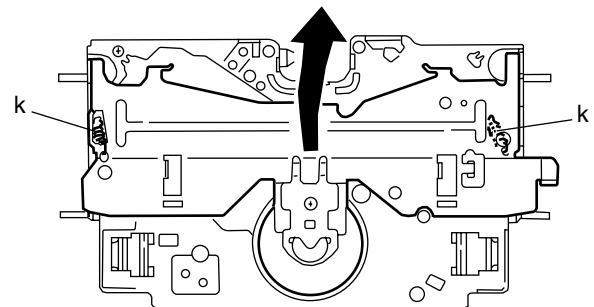


Fig.12

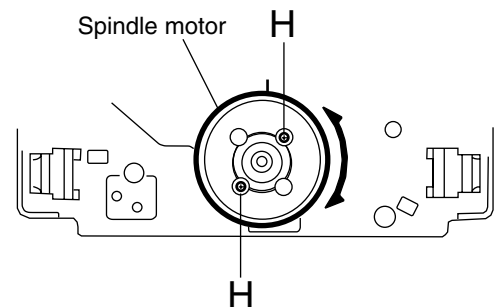


Fig.13

Adjustment method

■ Test instruments required for adjustment

1. Digital oscilloscope (100MHz)
2. AM Standard signal generator
3. FM Standard signal generator
4. Stereo modulator
5. Electric voltmeter
6. Digital tester
7. Tracking offset meter
8. Test Disc JVC :CTS-1000
9. Extension cable for check
EXTGS004-26P×1

■ Standard volume position

Balance and Bass & Treble volume : Indication "0"
Loudness : OFF
BBE : OFF

■ Frequency Band

FM 87.5MHz ~ 108.0MHz
MW 531kHz ~ 1602 kHz

■ Dummy load

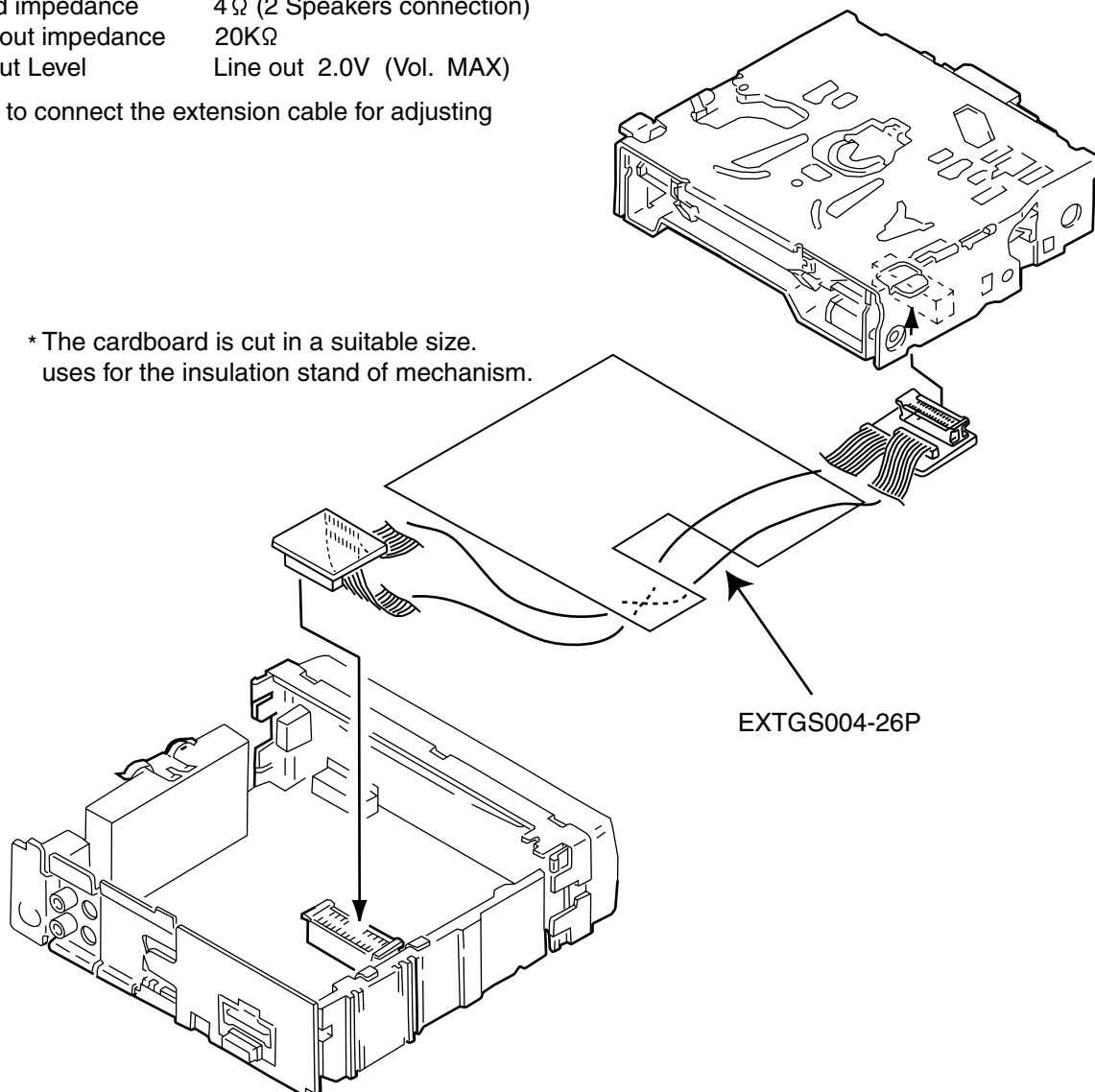
Exclusive dummy load should be used for AM, and FM. For FM dummy load, there is a loss of 6dB between SSG output and antenna input. The loss of 6dB need not be considered since direct reading of figures are applied in this working standard.

■ Standard measuring conditions

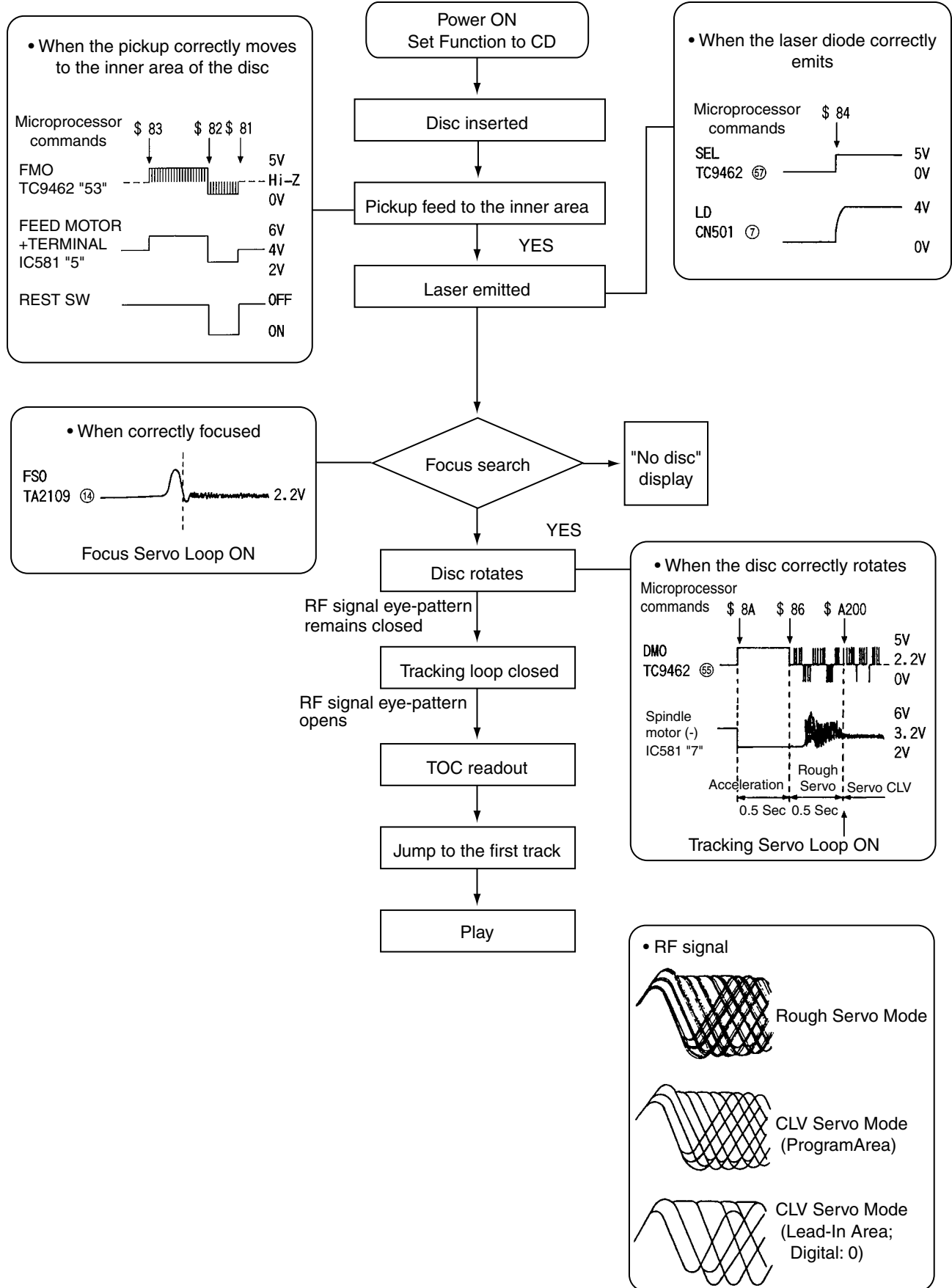
Power supply voltage DC14.4V(10.5~16V)
Load impedance 4Ω (2 Speakers connection)
Lineout impedance 20KΩ
Output Level Line out 2.0V (Vol. MAX)

■ How to connect the extension cable for adjusting

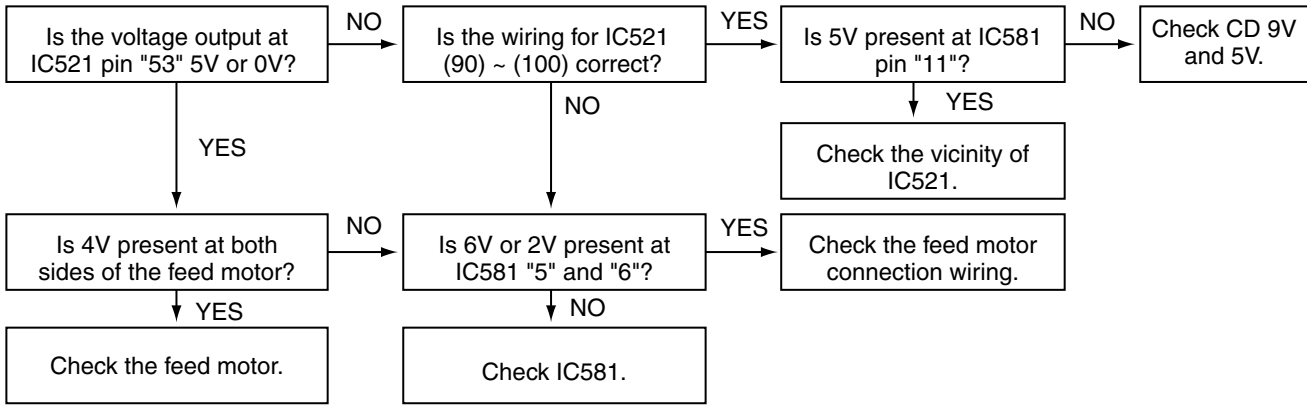
* The cardboard is cut in a suitable size.
uses for the insulation stand of mechanism.



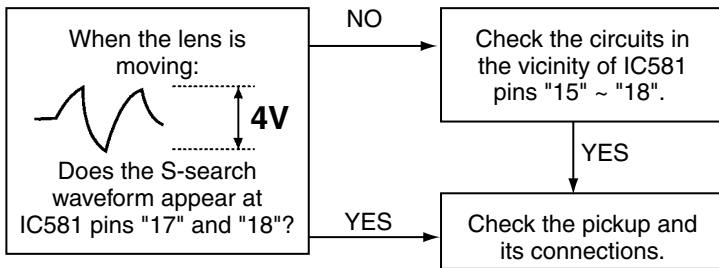
Flow of functional operation until TOC read



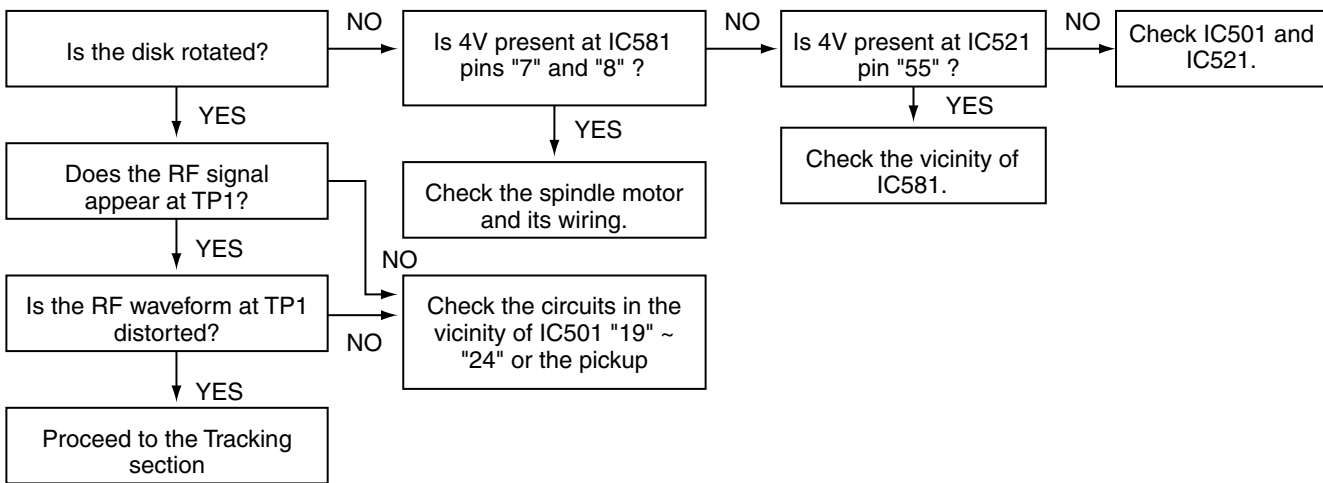
■ **Feed Section**



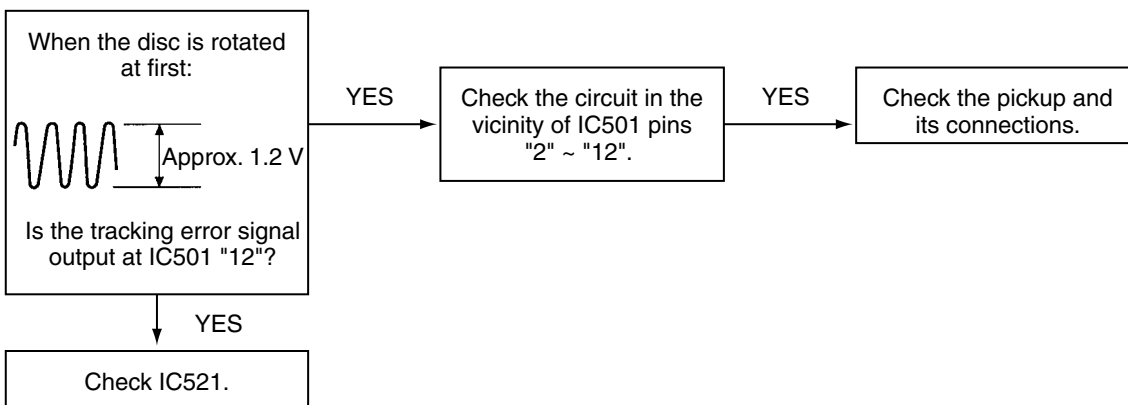
■ **Focus Section**



■ **Spindle Section**

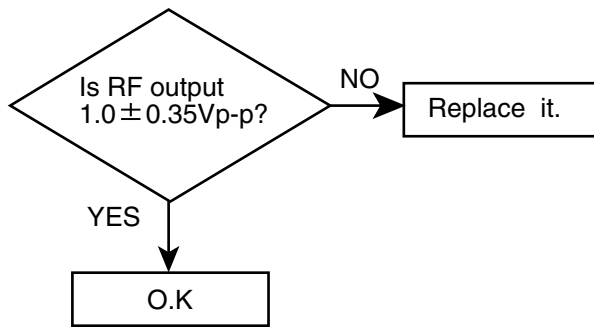


■ **Tracking Section**



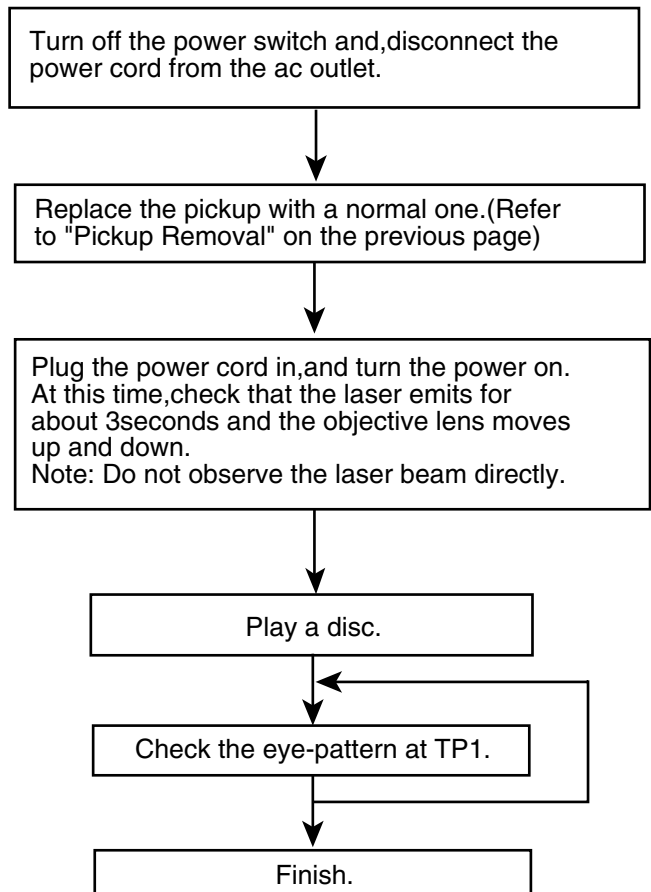
Maintenance of laser pickup

- (1) Cleaning the pick up lens
Before you replace the pick up, please try to clean the lens with a alcohol soaked cotton swab.
- (2) Life of the laser diode
When the life of the laser diode has expired, the following symptoms will appear.
 - (1) The level of RF output (EFM output:amplitude of eye pattern) will be low.



- (3) Semi-fixed resistor on the APC PC board
The semi-fixed resistor on the APC printed circuit board which is attached to the pickup is used to adjust the laser power. Since this adjustment should be performed to match the characteristics of the whole optical block, do not touch the semi-fixed resistor.
If the laser power is lower than the specified value, the laser diode is almost worn out, and the laser pickup should be replaced.
If the semi-fixed resistor is adjusted while the pickup is functioning normally, the laser pickup may be damaged due to excessive current.

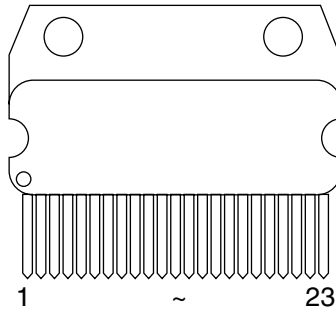
Replacement of laser pickup



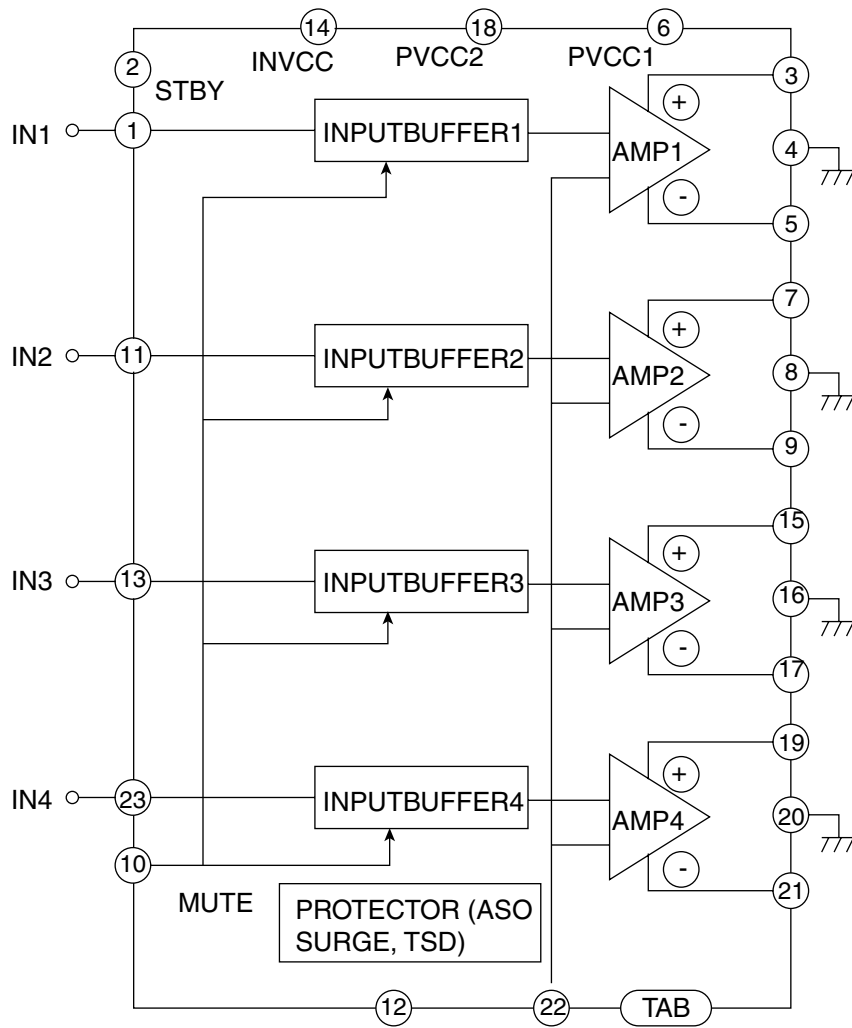
Description of major ICs

■ HA13158A (IC321) : Power amp

1. Pin layout

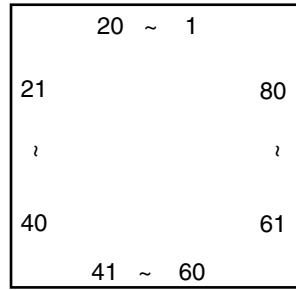


2. Block diagram

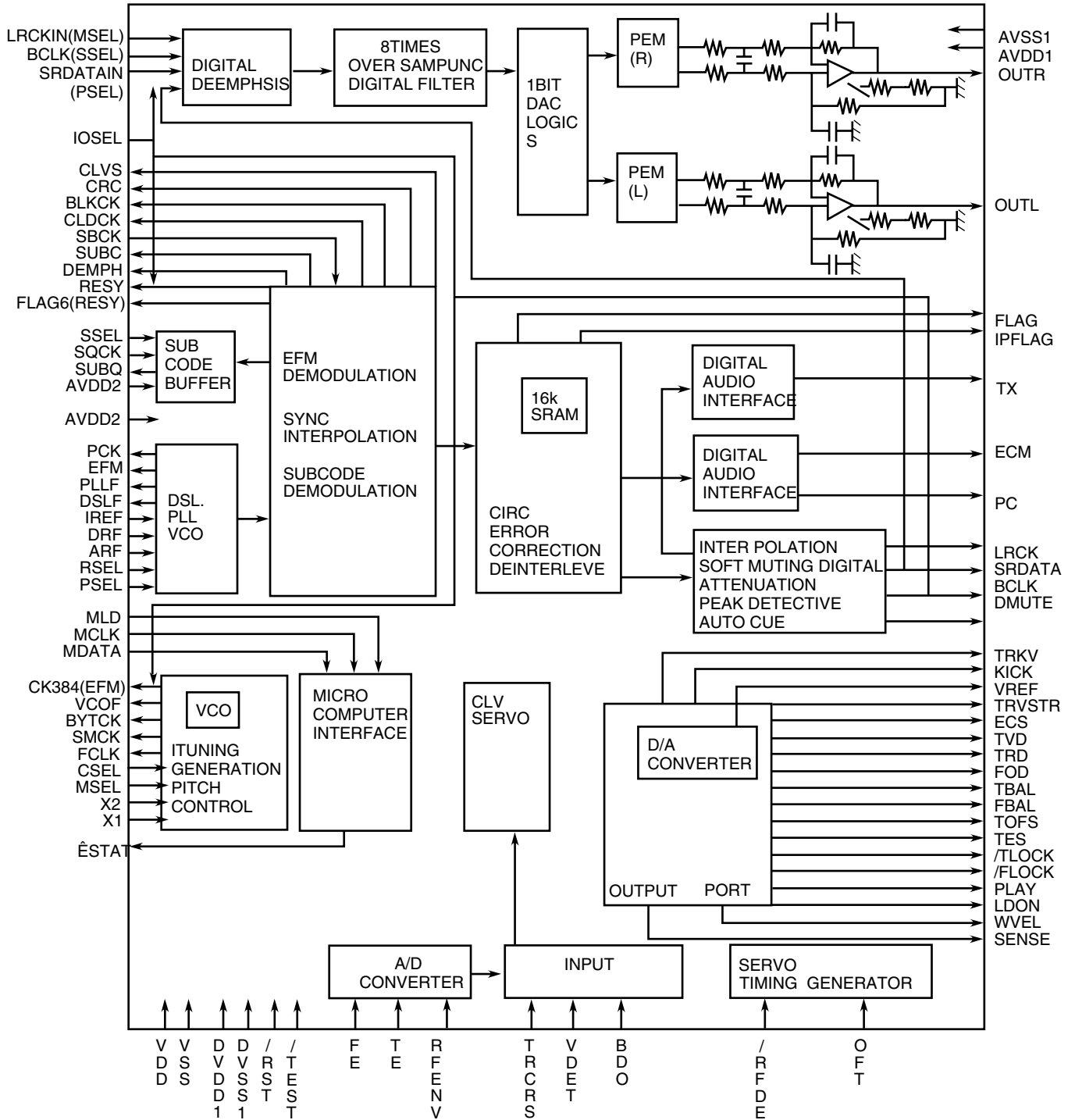


MN35510(IC561):Digital servo & digital signal processor

1. Terminal Layout



2. Block Diagram



3. Description

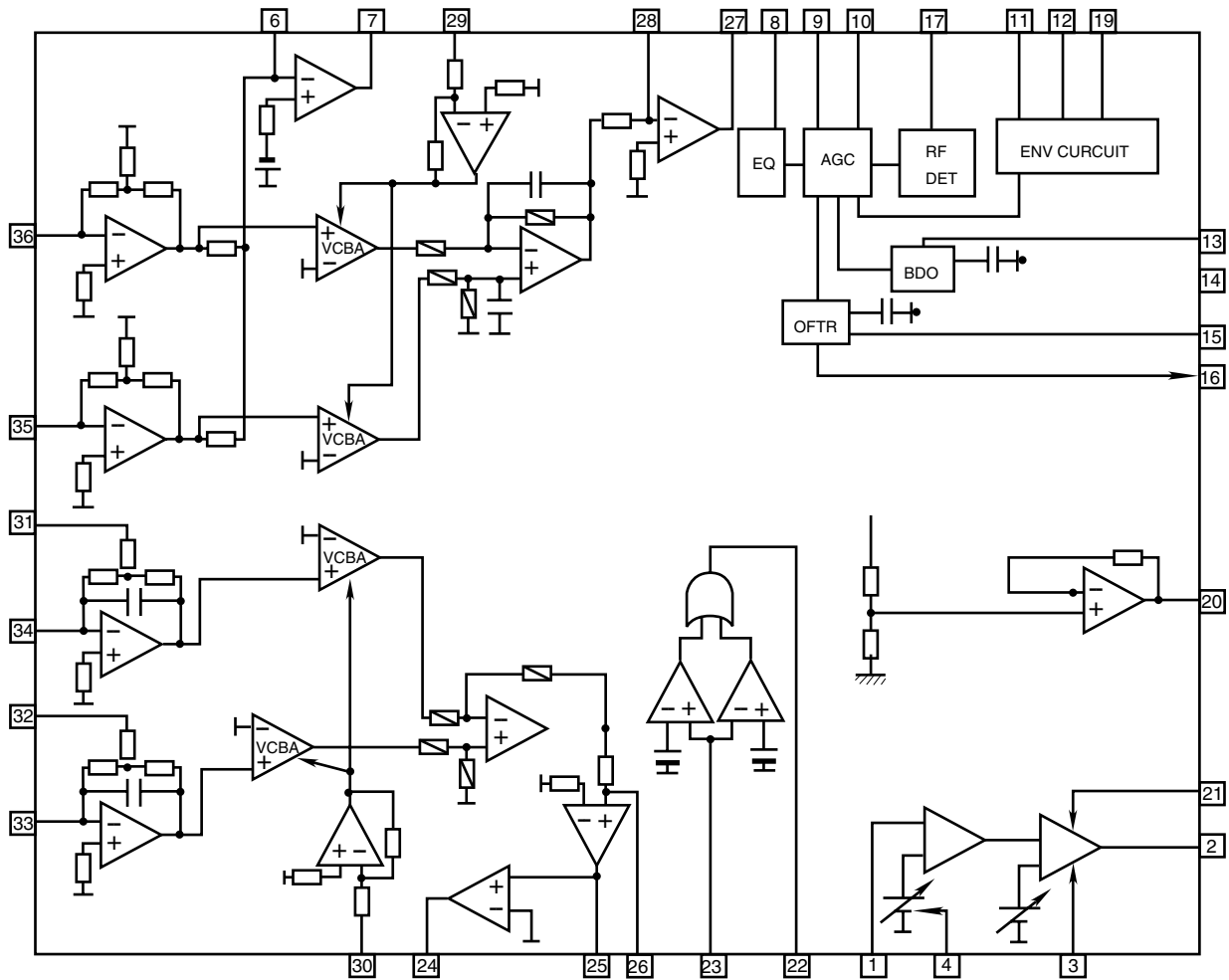
Pin No.	symbol	I/O	Description	Pin No.	symbol	I/O	Description
1	BCLK	O	Not used	41	TES	O	Tracking error shunt signal output(H:shunt)
2	LRCK	O	Not used	42	PLAY	—	Not used
3	SRDATA	O	Not used	43	WVEL	—	Not used
4	DVDD1	—	Power supply (Digital)	44	ARF	I	RF signal input
5	DVSS1	—	Connected to GND	45	IREF	I	Reference current input pin
6	TX	O	Digital audio interface output	46	DRF	I	Bias pin for DSL
7	MCLK	I	Micom command clock signal input (Data is latched at signal's rising point)	47	DSLFL	I/O	Loop filter pin for DSL
8	MDATA	I	Micom command data input	48	PLLFL	I/O	Loop filter pin for PLL
9	MLD	I	Micom command load signal input	49	VCOF	—	Not used
10	SENSE	O	Sence signal output	50	AVDD2	—	Power supply(Analog)
11	FLOCK	O	Focus lock signal output Active :Low	51	AVSS2	—	Connected to GND(Analog)
12	TLOCK	O	Tracking lock signal output Active :Low	52	EFM	—	Not used
13	BLKCK	O	sub-code - block - clock signal output	53	PCK	—	Not used
14	SQCK	I	Outside clock for sub-code Q resister input	54	PDO	—	Not used
15	SUBQ	O	Sub-code Q -code output	55	SUBC	—	Not used
16	DMUTE	—	Connected to GND	56	SBCK	—	Not used
17	STATUS	O	Status signal (CRC,CUE,CLVS,TTSTOP,ECLV,SQOK)	57	VSS	—	Connected to GND(for X'tal oscillation circuit)
18	RST	I	Reset signal input (L:Reset)	58	X1	I	Input of 16.9344MHz X'tal oscillation circuit
19	SMCK	—	Not used	59	X2	O	Output of X'tal oscillation circuit
20	PMCK	—	Not used	60	VDD	—	Power supply(for X'tal oscillation circuit)
21	TRV	O	Traverse enforced output	61	BYTCK	—	Not used
22	TVD	O	Traverse drive output	62	CLDCK	—	Not used
23	PC	—	Not used	63	FLAG	—	Not used
24	ECM	O	Spindle motor drive signal (Enforced mode output) 3-State	64	IPPLAG	—	Not used
25	ECS	O	Spindle motor drive signal (Servo error signal output)	65	FLAG	—	Not used
26	KICK	O	Kick pulse output	66	CLVS	—	Not used
27	TRD	O	Tracking drive output	67	CRC	—	Not used
28	FOD	O	Focus drive output	68	DEMPH	—	Not used
29	VREF	I	Reference voltage input pin for D/A output block (TVD,FOD,FBA,TBAL)	69	RESY	—	Not used
30	FBAL	O	Focus Balance adjust signal output	70	IOSEL	—	pull up
31	TBAL	O	Tracking Balance adjust signal output	71	TEST	—	pull up
32	FE	I	Focus error signal input(Analog input)	72	AVDD1	—	Power supply(Digital)
33	TE	I	Tracking error signal input(Analog input)	73	OUT L	O	Lch audio output
34	RF ENV	I	RF envelope signal input(Analog input)	74	AVSS1	—	Connected to GND
35	VDET	I	Vibration detect signal input(H:detect)	75	OUT R	O	Rch audio output
36	OFT	I	Off track signal input(H:off track)	76	RSEL	—	pull up
37	TRCRS	I	Track cross signal input	77	CSEL	—	Connected to GND
38	RFDET	I	RF detect signal input(L:detect)	78	PSEL	—	Connected to GND
39	BDO	I	BDO input pin(L:detect)	79	MSEL	—	Connected to GND
40	LDON	O	Laser ON signal output(H:on)	80	SSEL	—	Pull up

■ AN8806SB-W (IC501) : RF&Servo AMP

1.Pin layout

PD	1	36	PDAC
LD	2	35	PDBD
LDON	3	34	PDF
LDP	4	33	PDE
VCC	5	32	PDER
RF-	6	31	PDFR
RF OUT	7	30	TBAL
RF IN	8	29	FBAL
C.AGC	9	28	EF-
ARF	10	27	EF OUT
C.ENV	11	26	TE-
C.EA	12	25	TE OUT
CS BDO	13	24	CROSS
BDO	14	23	TE BPF
CS BRT	15	22	VDET
OFTR	16	21	LD OFF
/NRFDET	17	20	VREF
GND	18	19	ENV

2.Block diagram

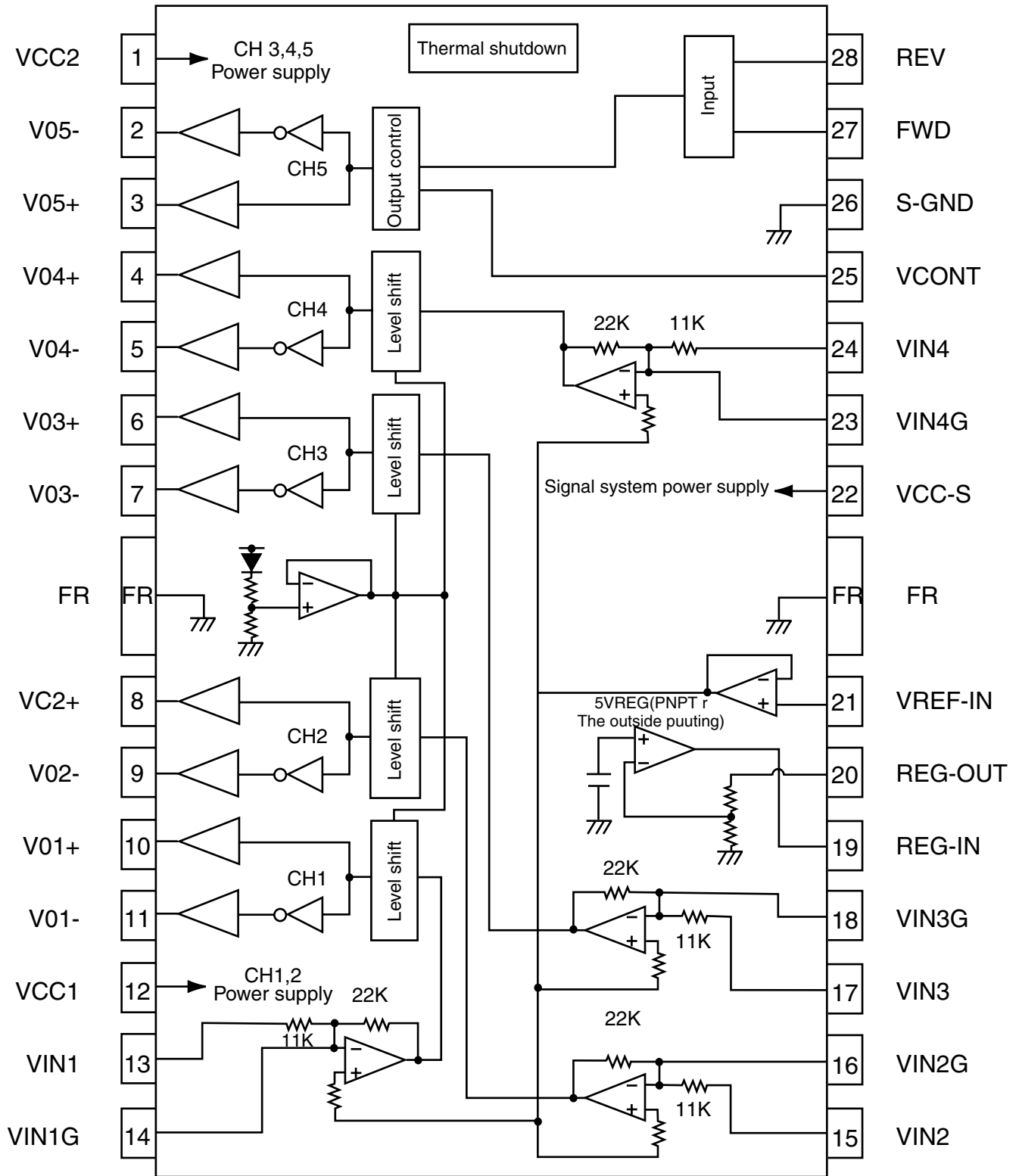


3. Pin function

Pin No.	Symbol	I/O	Function
1	PD	I	APC amp input terminal
2	LD	O	APC amp output terminal
3	LD ON	I	APC ON/OFF control terminal
4	LDP	--	Connect to ground
5	VCC	--	Power supply
6	RF-	I	Inverse input pin for RF amp
7	RF OUT	O	RFamp output
8	RF IN	I	RF input
9	C.AGC	I/O	Connecting pin of AGC loop filter
10	ARF	O	RF output
11	C.ENV	I/O	A capacitor is connected to this terminal to detect the envelope of RF signal
12	C.EA	I/O	A capacitor is connected to this terminal to detect the envelope of RF signal
13	CS BDO	I/O	A capacitor is connected to detect the lower envelope of RF signal
14	BDO	O	BDO output pin
15	CS BRT	I/O	A capacitor is connected to detect the lower envelope of RF signal
16	OFTR	O	Of-track status signal output
17	/NRFDET	O	RF detection signal output
18	GND	--	Ground
19	ENV	O	Envelope output
20	VREF	O	Reference voltage output
21	LD OFF	--	Connect to ground
22	VDET	O	Vibration detection signal output
23	TE BPF	I	Input pin of tracking error through BPF
24	CROSS	O	Tracking error cross output
25	TE OUT	O	Tracking error signal output
26	TE-	I	Inverse input pin for tracking error amp
27	FE OUT	O	Output pin of focus error
28	FE-	I	Inverse input pin for focus error amp
29	FBAL	I	Focus balance control
30	TBAL	I	Tracking balance control
31	PDFR	I/O	F I-V amp gain control
32	PDER	I/O	E I-V amp gain control
33	PDF	I	I-V amp input
34	PDE	I	I-V amp input
35	PD BD	I	I-V amp input
36	PD AC	I	I-V amp input

■ LA6567H-X(IC541) : Servo BTL driver

1.Pin layout & blockdiagram



2. Pin function

LA6567H-X(2/2)

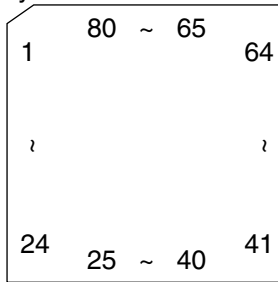
Pin no.	Symbol	Function
1	VCC2	CH3,4,5 Power supply(It is short with VCC1,VCC-S)
2	V05-	Loading output(-)
3	V05+	Loading terminal (+)
4	V04+	CH4 Output terminal(+)
5	V04-	CH4 Output terminal(-)
6	V03+	CH3 Output terminal(+)
7	V03-	CH3 Output terminal(-)
8	V02+	CH2 Output terminal(+)
9	V02-	CH2 Output terminal(-)
10	V01+	CH1 Output terminal(+)
11	V01-	CH1 Output terminal(-)
12	VCC1	CH1,2(BTL) Power supply(It is short with VCC-S,VCC2)
13	VIN1	CH1 Input terminal
14	VIN1G	CH1 Input terminal(For gain adjustment)
15	VIN2	CH2 Input terminal
16	VIN2G	CH2 Input terminal(For gain adjustment)
17	VIN3	CH3 Input terminal
18	VIN3G	CH3 Input terminal(For gain adjustment)
19	REG-IN	Regulator terminal(Outside putting PNP base)
20	REG-OUT	Regulator terminal(Outside putting PNP collector)
21	VREF-IN	Standard voltage input terminal
22	VCC-S	Signal system power supply(It is short with VCC1,VCC2)
23	VIN4G	CH4 Input terminal(For gain adjustment)
24	VIN4	CH4 Input terminal
25	VCONT	5CH(VLO) Output voltag set terminal
26	S-GND	Signal system GND
27	FWD	5CH(VLO)Signal output switch terminal(FWD),Input of logic of loading part 5CH(VLO)Signal output switch terminal(REV),
28	REV	Input of logic of loading part

* Frame(FR)at the center becomes system GND power.

* Please be short-circuited on the outside and use the terminal of the power supply system and three teminals of VCC-S, VCC1,VCC2.

■ LC72366-9989 (IC801) : Main micon

1. Pin layout

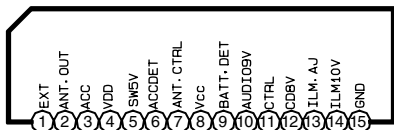


2. Pin function

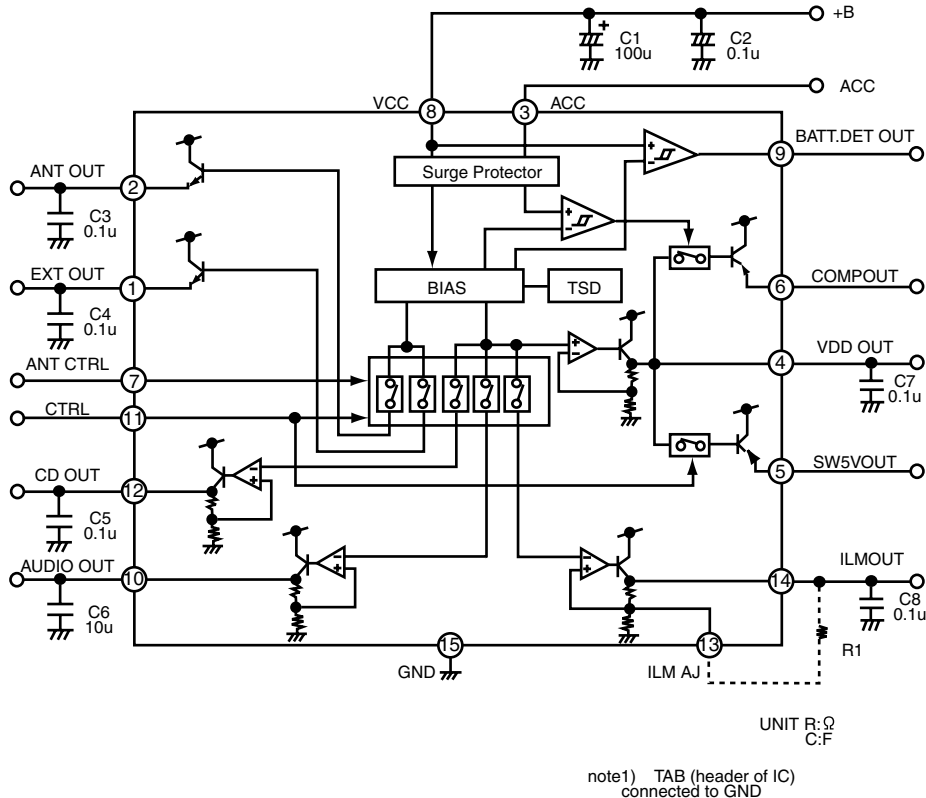
Pin No.	Symbol	Function	Pin No.	Symbol	Function
1	XIN	4.5MHz crystal oscillation	41	CD ON	CD 8V supply on
2	TEST2	Connect to ground	42	RELAY	5V power control
3	J BUS SI	J-BUS signal data input (to 74HC126)	43	BBE CTL	No use
4	J BUS SO	J-BUS signal data output (to 74HC126)	44	BEEP	No use
5	J BUS SCK	J-BUS output clock signal (to 74HC126)	45	SW4	
6	J BUS I/O CONT	J-BUS I/O control	46	SW1	CD mechanism switch 1 for disc in, 8cm disc
7	SUBQ	CD LSI subcode data input	47	SW3	CD mecha. switch 3 for disc present, loading end
8		No use	48	REST	CD pickup rest position
9	SQCK	CD LSI subcode clock	49	JOG0	Rotary encoder input 0
10	RESET	Micon reset pin	50	JOG1	Rotary encoder input 1
11	LCD SI	No use	51	CD SENSE	CD LSI sense signal
12	LCD SO	LCD driver data output	52	STATUS	CD LSI status signal
13	LCDSCK	LCD driver clock signal	53	P.SAVE2	Power save 2 : +B detect
14	LCD CE	LCD driver chip enable port	54	SD/ST	Station detection, Stereo indication
15	FM ILLUMI	No use	55	REMOCON	Remocon input
16	AM ILLUMI	No use	56	J BUS INT	J-BUS interrupt
17	CD ILLUMI	No use	57	BAND	FM/AM band selection
18	DIMMER OUT	No use	58	MONO	FM mono selection
19	LM0	CD loading motor output	59	IFRQ/AGC	During FM auto search, IF request output H after SD
20	LM1	CD loading motor output			detected. During AM auto search, AGC output.
21		No use	60	MUTE	Muting switch
22		No use	61	LEVEL	Level meter input
23		No use	62	S METER	S meter input
24	KS2	No use	63	KEY CHANGE	Connect to ground
25	KS1	No use	64	KEY2	Key 2 data input (AD)
26	KS0	Output for initial setting diode matrix	65	KEY1	Key 1 data input (AD)
27	DETACH	Front panel detect	66	KEY0	Key 0 data input (AD)
28	K2	No use	67	P.SAVE1	Power save 1, ACC power detect
29	K1	Input for initial setting diode matrix	68	SENSE	Voltage sense
30	K0	Input for initial setting diode matrix	69		No use
31	Vdd	5V power supply	70	FM IF COUNT	FM IF counter data input
32	SW2	CD mechanism switch 2 for 12cm disc	71		No use
33	CD LSI RESET	CD LSI reset	72		No use
34	MCLK	CD LSI command clock signal	73	Vdd	5V power supply
35	MDATA	CD LSI command data output	76	AM OSC	No use
36	MLD	CD LSI command load signal	75	FM OSC	FM input frequency
37		No use	76	Vss	Ground
38		No use	77		No use
39	SCL	E.volume clock output	78	EO	PLL error output signal
40	SDA	E.volume data output	79	TEST1	Connect to ground
			80	XOUT	4.5MHz crystal oscillation

HA13164(IC901):Regulator

1.Terminal layout



2.Block diagram



3.Pin function

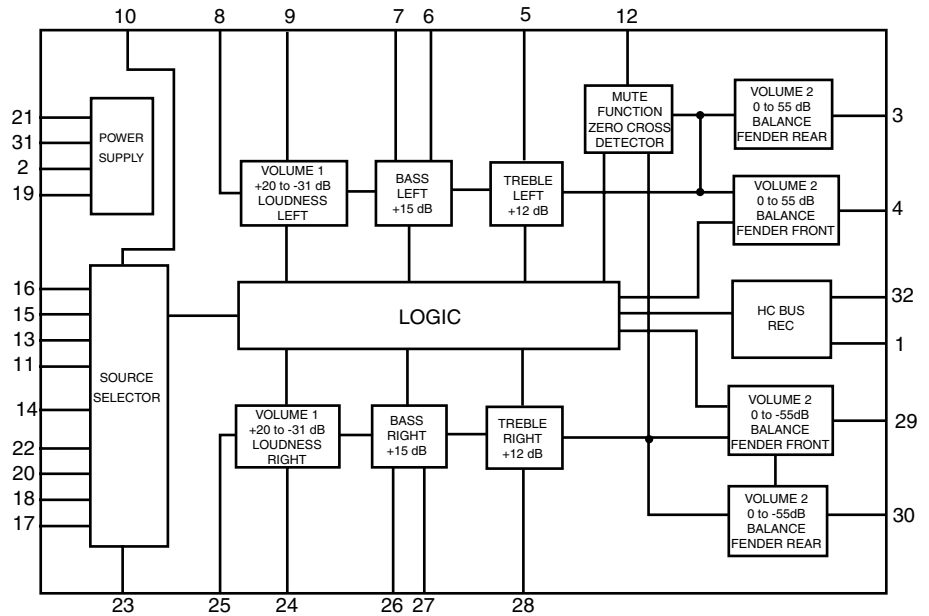
Pin No.	Symbol	Function
1	EXTOUT	Output voltage is VCC-1 V when M or H level applied to CTRL pin.
2	ANTOUT	Output voltage is VCC-1 V when M or H level to CTRL pin and H level to ANT-CTRL.
3	ACCIN	Connected to ACC.
4	VDDOUT	Regular 5.7V.
5	SW5VOUT	Output voltage is 5V when M or H level applies to CTRL pin.
6	COMPOUT	Output for ACC detector.
7	ANT CTRL	L:ANT output OFF , H:ANT output ON
8	VCC	Connected to VCC.
9	BATT DET	Low battery detect.
10	AUDIO OUT	Output voltage is 9V when M or H level applied to CTRL pin.
11	CTRL	L:BIAS OFF, M:BIAS ON, H:CD ON
12	CD OUT	Output voltage is 8V when H level applied to CTRL pin.
13	ILM AJ	Adjustment pin for ILM output voltage.
14	ILM OUT	Output voltage is 10V when M or H level applies to CTRL pin.
15	GND	Connected to GND.

TEA6320T-X(IC301) : E.Volume

1.Terminal Layout

SDA	1	32	SCL
GND	2	31	VCC
OUTLR	3	30	OUTRR
OUTLF	4	29	OUTRF
TL	5	28	TR
B2L	6	27	B2R
B1L	7	26	B1R
IVL	8	25	IVR
ILL	9	24	ILR
QSL	10	23	QSR
IDL	11	22	IDR
MUTE	12	21	Vref
ICL	13	20	ICR
IMD	14	19	CAP
IBL	15	18	IBR
IAL	16	17	IAR
			CD-CH
			TUNER

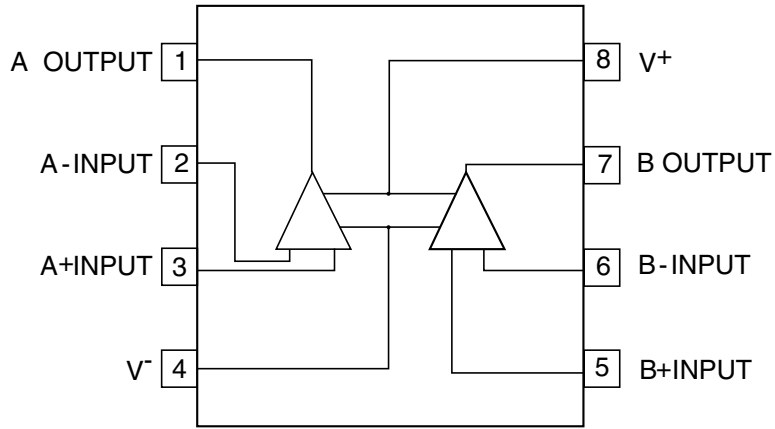
2.Block Diagram



3.Pin Functions

Pin No.	Symbol	I/O	Functions	Pin No.	Symbol	I/O	Functions
1	SDA	I/O	Serial data input/output.	17	IAR	I	Input A right source.
2	GND	-	Ground.	18	IBR	I	Input B right source.
3	OUTLR	O	output left rear.	19	CAP	-	Electronic filtering for supply.
4	OUTLF	O	output left front.	20	ICR	I	Input C right source.
5	TL	I	Treble control capacitor left channel or input from an external equalizer.	21	Vref	-	Reference voltage (0.5Vcc)
6	B2L	-	Bass control capacitor leftchannel or output to an external equalizer.	22	IDR	-	Not used
7	B1L	-	Bass control capacitor left channel.	23	QSR	O	Output source selector right channel.
8	IVL	I	Input volume 1. left control part.	24	ILR	I	Input loudness right channel.
9	ILL	I	Input loudness. left control part.	25	IVR	I	Input volume 1. right control part.
10	QSL	O	Output source selector. left channel.	26	B1R	-	Bass control capacitor right channel
11	IDL	-	Not used	27	B2R	O	Bass control capacitor right channel or output to an external equalizer.
12	MUTE	-	Not used	28	TR	I	Treble control capacitor right channel or input from an external equalizer.
13	ICL	I	Input C left source.	29	OUTRF	O	Output right front.
14	IMO	-	Not used	30	OUTRR	O	Output right rear.
15	IBL	I	Input B left source.	31	Vcc	-	Supply voltage.
16	IAL	I	Input A left source.	32	SCL	I	Serial clock input.

■ NJM4565M (IC151) : Operational amp



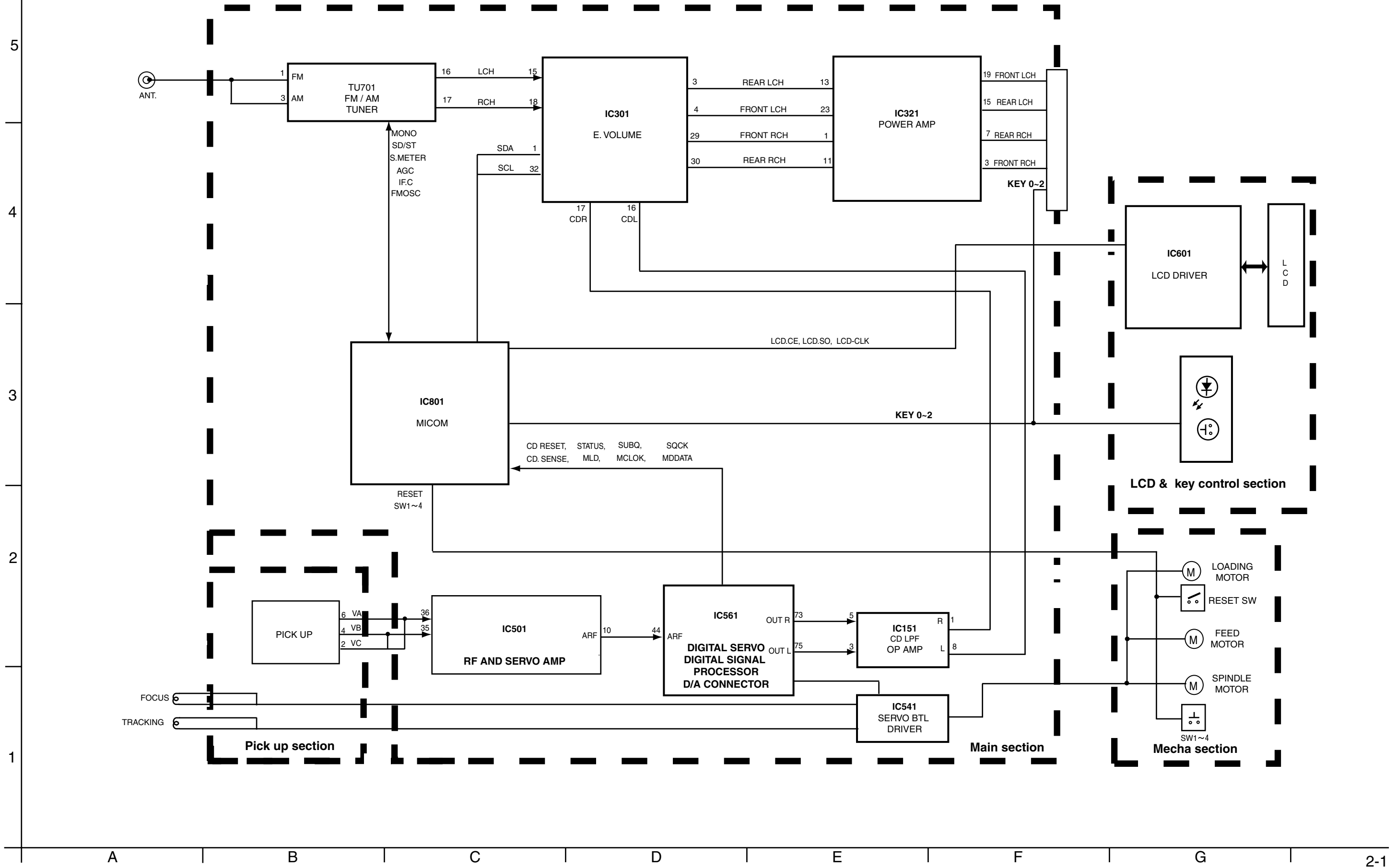
JVC

VICTOR COMPANY OF JAPAN, LIMITED

MOBILE ELECTRONICS DIVISION

PERSONAL & MOBILE NETWORK BUSINESS UNIT. 10-1,1Chome,Ohwatari-machi,Maebashi-city,Japan

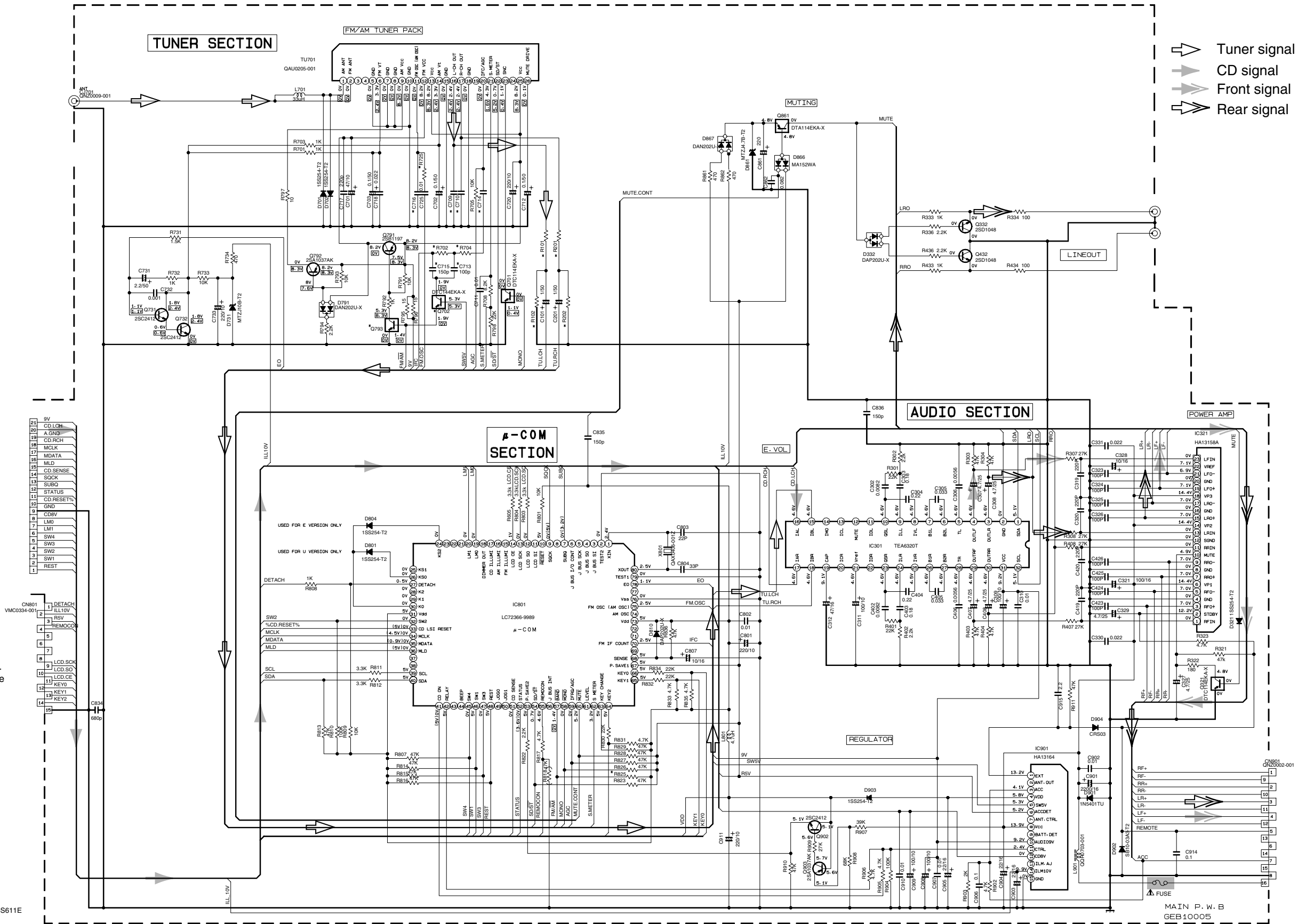
Block diagram



Standard schematic diagrams

Main amp. section

5
4
3
2
1



- Tuner signal
- CD signal
- Front signal
- Rear signal

21	9V
20	CD LCH
19	A GND
18	CD RCH
17	MCLK
16	MDATA
15	MLD
14	CD SENSE
13	SOCK
12	SUBO
11	STATUS
10	CD RESET%
9	GND
8	CDSV
7	LM0
6	LM1
5	SW4
4	SW2
3	SW1
2	REST
1	

Parts are safety assurance parts.
When replacing those parts make
sure to use the specified one.

REMARK 1	J	U	E
C709-C710	0.033	0.022	0.022
B101-B201	2.7K	470	470
B102-B202	4.7K	1.7K	1.7K
B801	NET USED	USED	NET USED
B804	NET USED	NET USED	USED
Q703	NOT USED	NOT USED	USED
C715-C716	NOT USED	NOT USED	USED
C834	USED	NOT USED	NOT USED
C835-C836	USED	NOT USED	NOT USED
R703-R704	0	0	150
R705-R706	0	0	150
B112	180K	180K	0.51
C715	NET USED	NET USED	NET USED
C836	47K	47K	47K
Q703	NET USED	NET USED	NET USED
C838	NET USED	NET USED	NET USED

NOTES: VOLTAGE ARE DC-MEASURED WITH A DIGITAL
VOLTMETER WITHOUT INPUT SIGNAL CONDITION
----FM/AM MODE: 1: 1 CD MODE

Note:KD-S570J KD-S575U KD-S620J KD-S611E
FSDH3165-005TW / 3165ma

MAIN P. W. B
GEB10005

A B C 2-2 D E F G H

CD servo & control section

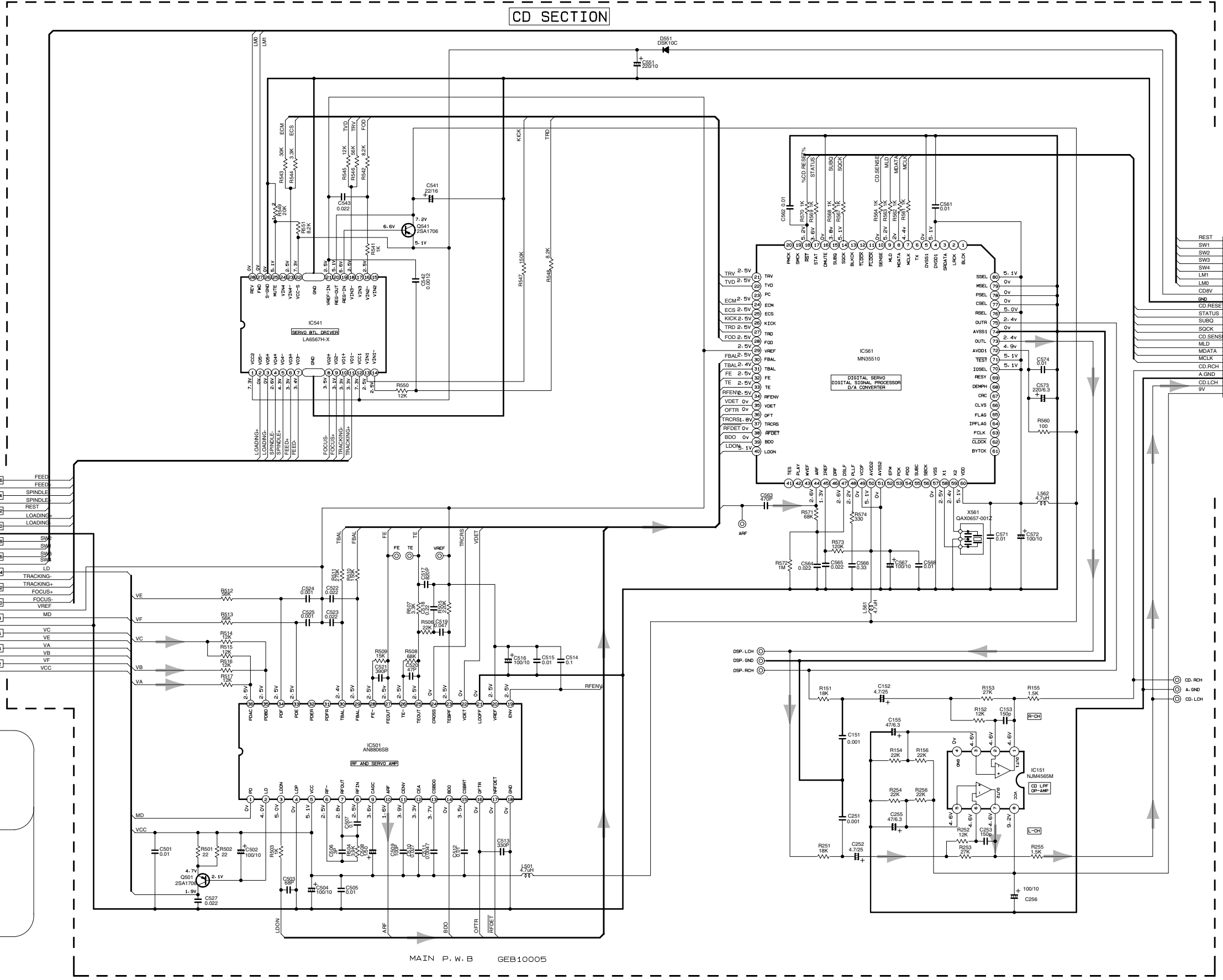
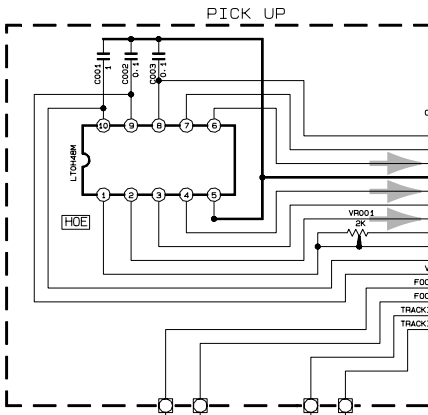
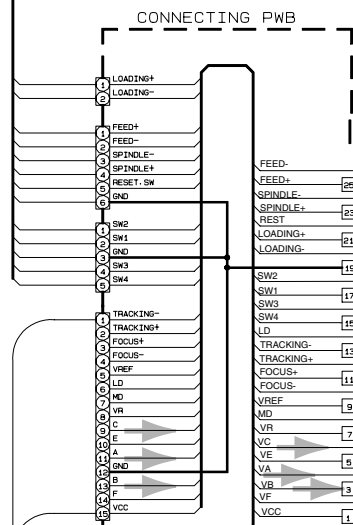
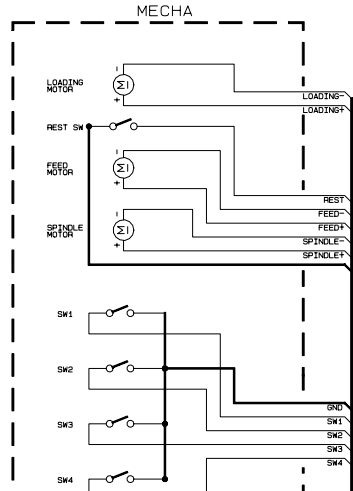
5

4

3

2

1

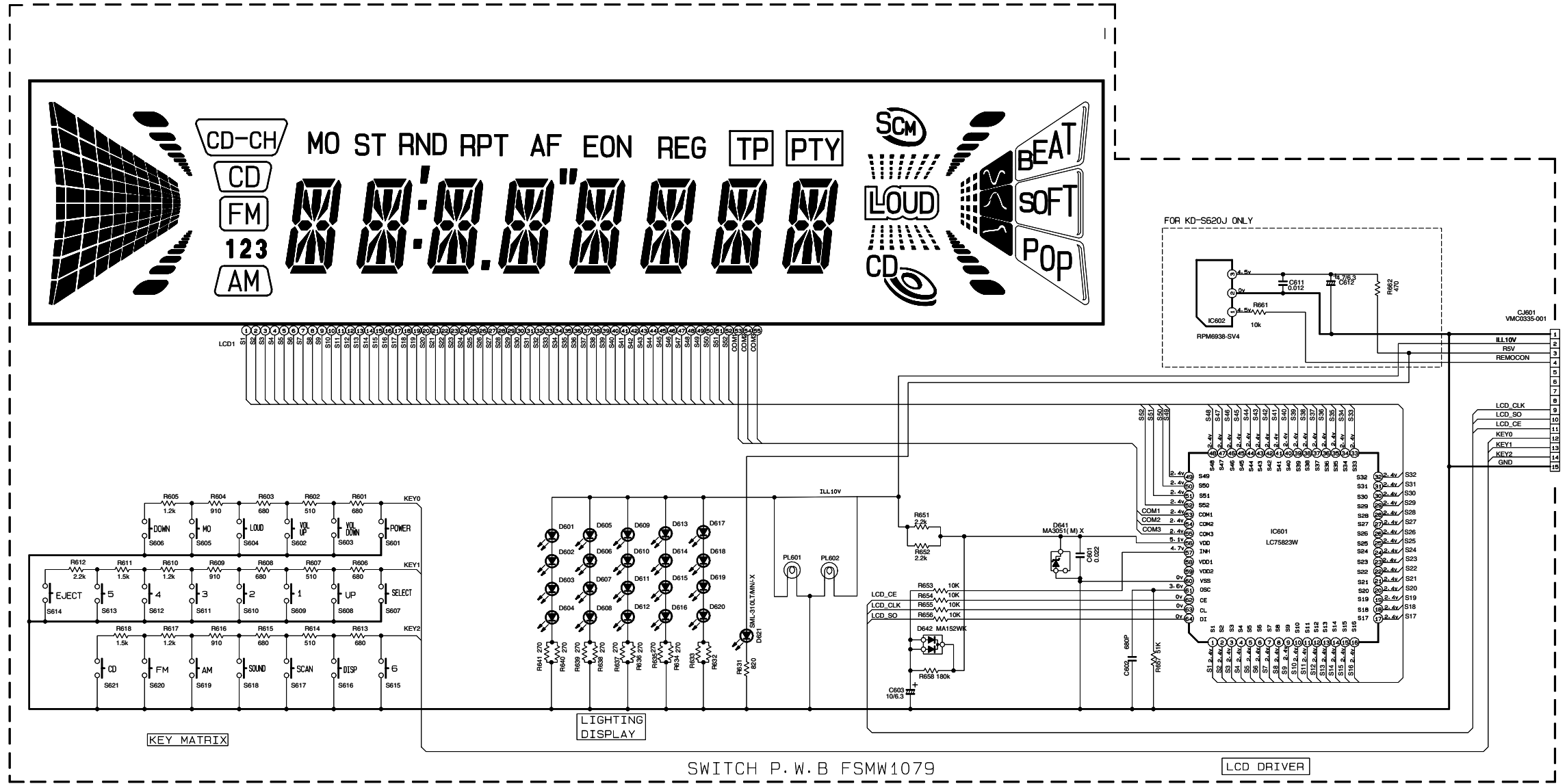


- 1 REST
- 2 SW1
- 3 SW2
- 4 SW3
- 5 SW4
- 6 LMT
- 7 LMD
- 8 CD RV
- 9 CD RESE
- 10 STATUS
- 11 SUBO
- 12 SOCK
- 13 CD SENSE
- 14 MLD
- 15 MDATA
- 16 MCLK
- 17 CD RCH
- 18 A.GND
- 19 CD LCH
- 20 9V
- 21

NOTE : VOLTAGE ARE DC-MEASURED WITH DIGITAL VOLTMETER WITHOUT INPUT SIGNAL CONDITION
--- CD MODE

➔ CD signal

■ LCD & key control section



FRONT CIRCUIT BOARD SECTION

	KD-S620	KD-S670	KD-S675/KD-S611
PL501 PL502	QLL0033-003	QLL0033-003	QLL0096-001
D617 D618 D619	SM-310VT/K/-X	LNJ308081/1-3/X	
R632 R633	NR9A02J-391X	NR9A02J-271X	
LC01	QLD0161-001	QLD0161-001	
D601- D616		LNJ308081/1-3/X	
S601- S621		NR90124-001X	

MODEL	SWITCH BOARD
KD-S570J	KD-SWPCB-1
KD-S620J	KD-SWPCB-2
KD-S575U Series/ KD-S611E Series	KD-SWPCB-8

NOTE VOLTAGE ARE DC-MEASURED WITH DIGITAL
VOLTMETER WITHOUT INPUT SIGNAL CONDITION

Printed circuit boards

■ Main board

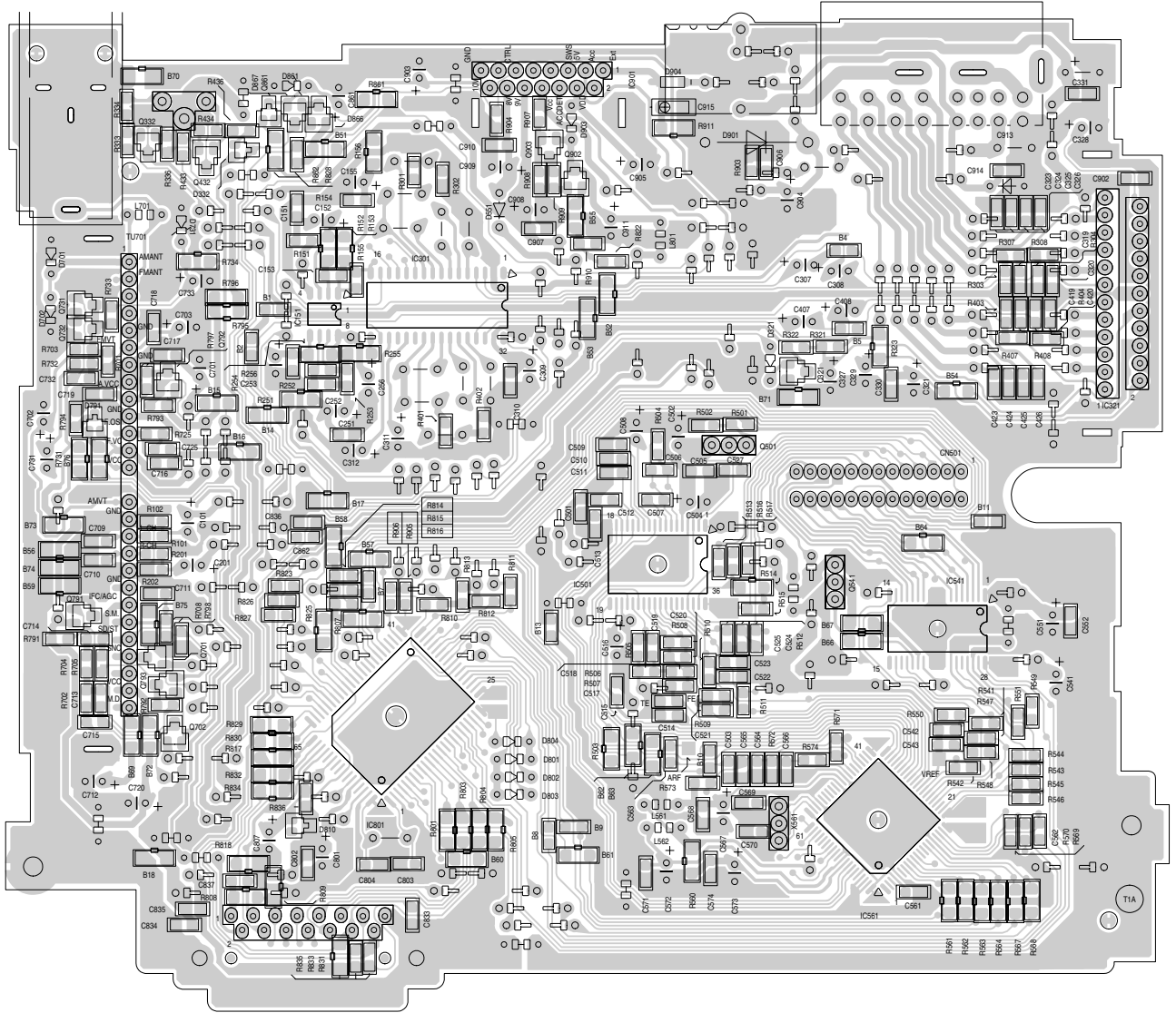
5

4

3

2

1



A

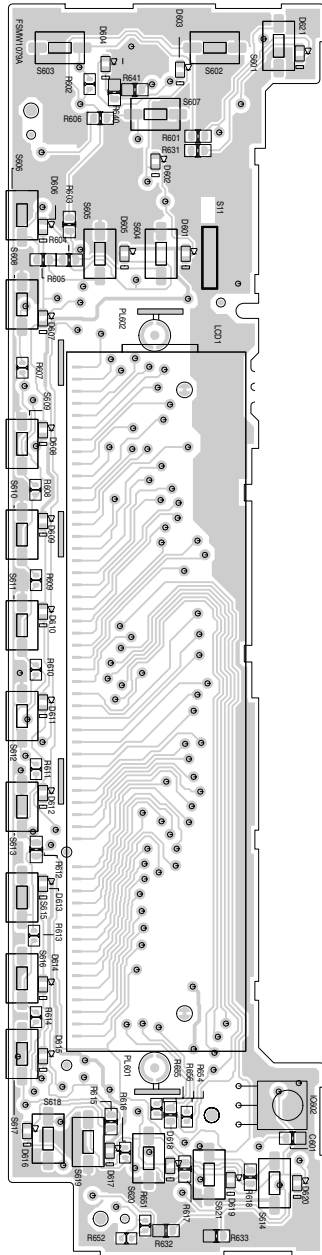
B

C

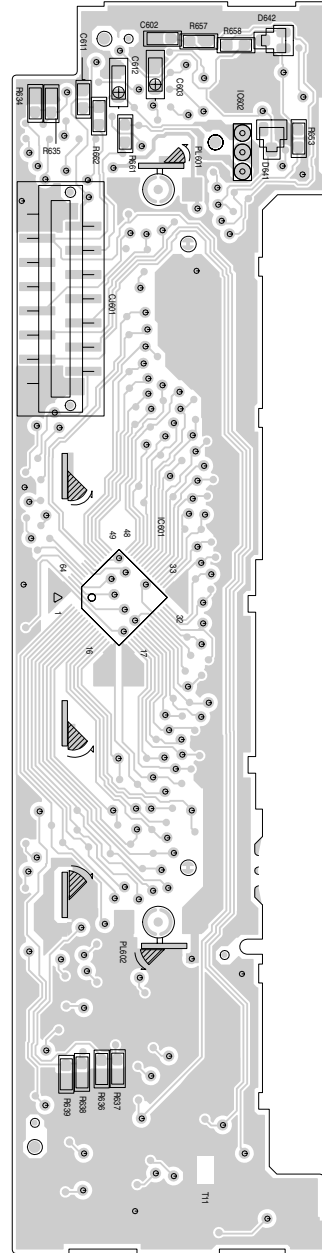
■ LCD & key control board

5
4
3
2
1

(Forward side)



(Reverse side)



2-6

A

B

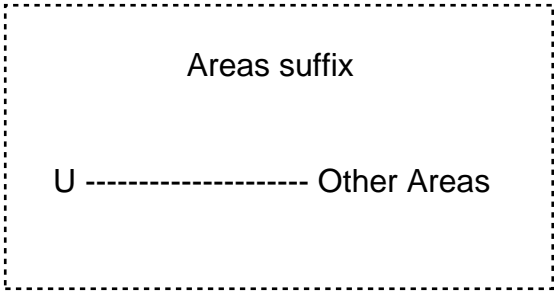
C

D

PARTS LIST

[KD-S575]

* All printed circuit boards and its assemblies are not available as service parts.



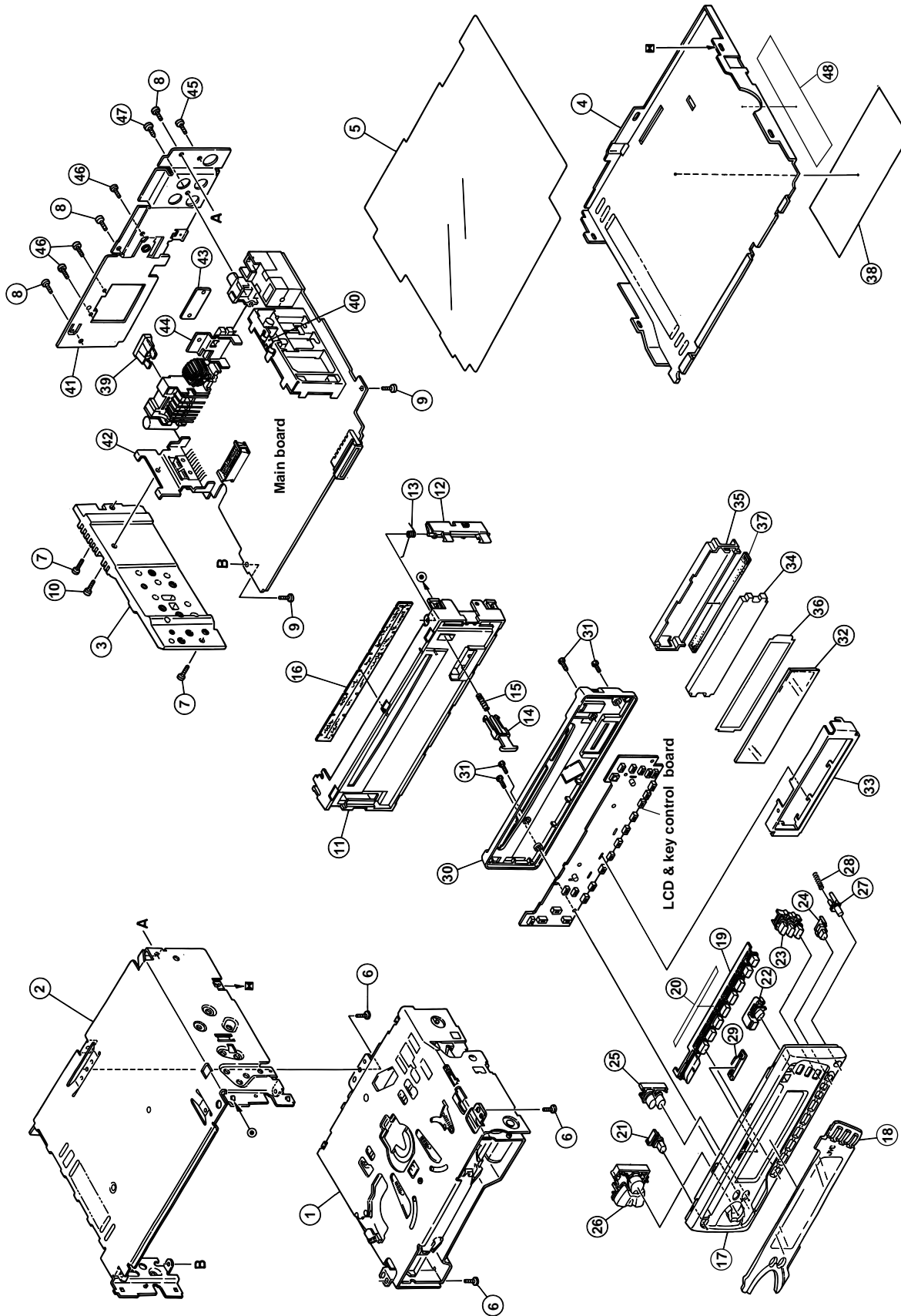
- Contents -

Exploded view of general assembly and parts list	3- 2
CD mechanism assembly and parts list	3- 4
Electrical parts list	3- 7
Packing materials and accessories parts list	3-12

Exploded view of general assembly and parts list

Block No.

M	1	M	M
---	---	---	---



Parts list (General assembly)

Block No. M1MM

△	Item	Parts number	Parts name	Q'ty	Description	Area
	1	-----	CD MECHA	1		
	2	FSJC1029-401	TOP CHASSIS	1		
	3	FSMH3001-202	SIDE PANEL	1		
	4	FSKM3011-002	BOTTOM COVER	1		
	5	FSMA3004-003	INSULATOR	1		
	6	QYSDST2604Z	SCREW	3	CHASSIS+MECHA BKT	
	7	FSKZ4005-001	SCREW	2	CHASSIS+SIDE PANEL	
	8	QYSDST2604Z	SCREW	3	CHASSIS+REAR BKT	
	9	QYSDST2606Z	SCREW	2	CHASSIS+MAIN PWB	
	10	FSKZ4005-001	SCREW	1	SIDE PANEL+IC BKT	
	11	FSJC2013-002	FRONT CHASSIS	1		
	12	FSKS3010-001	LOCK LEVER	1		
	13	FSKW4005-003	TORSION SPRING	1	FOR LOCK LEVEL	
	14	FSXP3026-002	RLS KNOB	1		
	15	FSKW3002-015	COMP.SPRING	1		
	16	FSPK3009-001	BLIND	1		
	17	FSJC1057-003	FRONT PANEL	1		
	18	FSJD3023-00H	FINDER ASSY	1		
	19	FSXP2035-108	PRESET BUTTON	1	1-6,DISP,SCAN/RT	
	20	FSYH4036-031	SHEET	1		
	21	FSXP3053-002	POWER BUTTON	1		
	22	FSXP3054-002	EJECT BUTTON	1		
	23	FSXP2034-034	D.FUNC BUTTON	1	CD/FM/AM	
	24	FSXP4005-029	BBE BUTTON	1	SCM	
	25	FSXP3068-001	PUSH BUTTON	1	LOUD,MO/RND	
	26	FSXP2044-001	COMBO BUTTON	1		
	27	FSXP3055-001	DETACH BUTTON	1		
	28	FSKW3002-012	COMP. SPRING	1	FOR DETACH BUTTON	
	29	FSJK3026-001	CD LENS	1		
	30	FSJC1043-002	REAR COVER	1		
	31	VKZ4777-001	MINI SCREW	4	FRONT+REAR	
	32	QLD0161-001	LCD	1		
	33	FSYH3023-001	LCD CASE	1		
	34	FSJK3035-001	LCD LENS	1		
	35	FSKS3022-002	LENS CASE	1		
	36	FSYH4078-001	LIGHTING SHEET	1		
	37	QNZ0442-001	RUBBER CONNE	1		
	38	GE30132-002A	NAME PLATE	1		
△	39	QMFZ021-100-J1	FUSE	1		
	40	VMA4652-001SS	EARTH PLATE	1		
	41	FSKM3010-013	REAR BRACKET	1		
	42	FSKL4018-00B	IC BRACKET	1		
	43	GE40104-002B	HEAT SINK	1		
	44	GE40103-001A	REGULATOR BRACK	1		
	45	QYSDST2606Z	SCREW	1	FOR ANT	
	46	QYSDST2606Z	SCREW	3	16P&TR BRACKET	
	47	QYSDSF3006Z	SCREW	1	LINE OUT	
	48	LV41843-001A	LASER CAUTION	1		

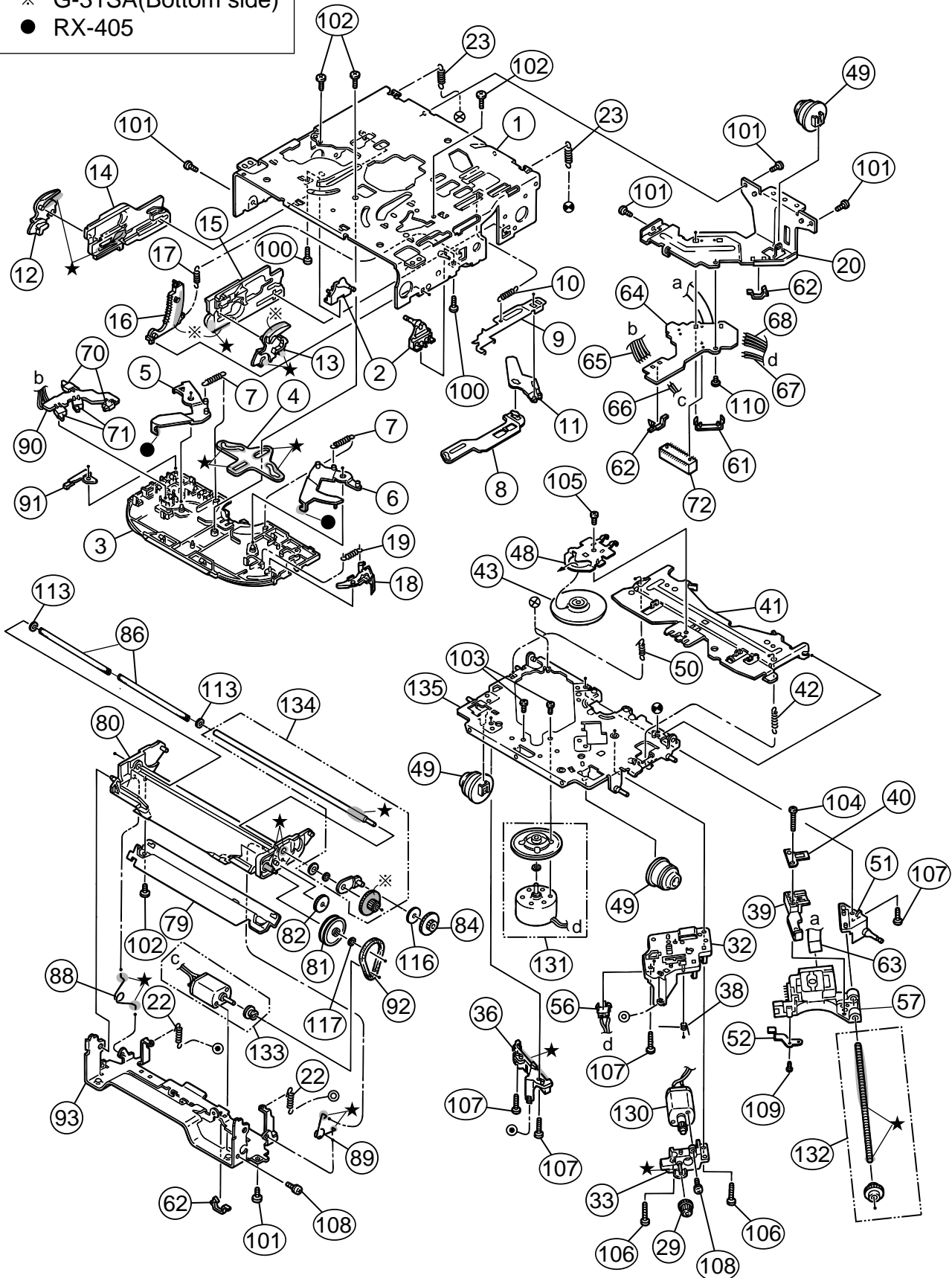
CD mechanism assembly and parts list

Block No. M 2 M M

Grease

- ★ G-31SA
- ※ G-31SA(Bottom side)
- RX-405

TN-CCD1001Z-136J



Parts list (CD mechanism)

Block No. M2MM

△	Item	Parts number	Parts name	Q'ty	Description	Area
	1	30310101T	FRAME	1		
	2	30310103T	DANPER PIN	2		
	3	30310107T	UPPER PLATE	1		
	4	30310108T	SEL STOP PLATE	1		
	5	30310142T	SEL ARM (L)L	1		
	6	30310143T	SEL ARM (R)L	1		
	7	30310145T	S ARM SPRING(L)	2		
	8	30310112T	TRIG LEVER	1		
	9	30310155T	TRIG PL(Z)	1		
	10	30310115T	TRIG PL SPRING	1		
	11	30310116T	TRIG ARM	1		
	12	30310134T	FIX ARM (L)B	1		
	13	30310159T	FIX ARM (R)Z	1		
	14	30310150T	FIX PL (L)Z	1		
	15	30310156T	FIX PL (R) Z	1		
	16	30310138T	LDG GR (6)B	1		
	17	30310122T	LDG GEAR (6)SP	1		
	18	30310148T	S.L ARM(N)	1		
	19	30310125T	S.L ARM SPRING	1		
	20	30310149T	REAR DAM BKT(Z)	1		
	22	30310151T	HUNG UP SP (FZ)	2		
	23	30310129T	HUNG UP SP (R)	2		
	29	30300510T	PU GEAR(B)	1		
	32	30310544T	F.M.BASE(Z)	1		
	33	30310547T	FD GR BLK(Z)	1		
	36	30310546T	PU GUIDE(Z)	1		
	38	30310533T	THRUST SPR(M)	1		
	39	30310548T	PU M NUT(Z)	1		
	40	30310512T	NUT PUSH SPR PL	1		
	41	30310558T	CLP ARM(Z)	1		
	42	30310514T	CLP ARM SPRING	1		
	43	30310552T	CLAMPER(Z)	1		
	48	30310557T	CLAMPER PLATE(Z)	1		
	49	30310524T	DAMPER (J)	3		
	50	30310525T	CLP ARM SPR (L)	1		
	51	30310545T	F SCREW GUIDE(Z)	1		
	52	30310556T	PU G.SP PLT(Z)	1		
	56	64180405T	DET SW	1	ESE11SF4	
	57	OPTIMA-720L1	C.D PICK (CAR)	1		
	61	30311035T	FPC HOLDER(Z)	1		
	62	19501403T	WIRE CLAMPER	3		
	63	30311037T	PICK UP FPC(Z)	1		
	64	30311036T	CONNECT.PCB(Z-J)	1		
	65	30311038T	WIRE (5P-Z)	1		
	66	30311039T	WIRE (LD-Z)	1		
	67	30311040T	WIRE (FD-Z)	1		
	68	30311041T	WIRE (RS-Z)	1		
	70	64180402T	DET SWITCH	2	ESE22MH1	

■ Parts list (CD mechanism)

Block No. M2MM

△	Item	Parts number	Parts name	Q'ty	Description	Area
	71	64180403T	DET SWITCH	2	ESE22MH3	
	72	68150232T	CONNECTOR	1	TKC-W26X-C1	
	79	30311105T	SOPPORT PLATE	1		
	80	30311138T	GR MT BLK(N)	1		
	81	30311109T	LDG GEAR (2)	1		
	82	30311110T	LDG GEAR (3)	1		
	84	30311112T	LDG GEAR (5)	1		
	86	30311136T	LDG ROLLER	2		
	88	30311118T	L.P SPRING (L)	1		
	89	30311119T	L.P SPRING (R)	1		
	90	30311123T	SW PCB	1		
	91	30311124T	SW ACTUATOR	1		
	92	30311129T	LDG BELT	1		
	93	30311140T	FRONT BRKT (J)	1		
	100	9C0620503T	C B TAP SCREW	2	M2X5	
	101	9C2020401T	C SCREW TS.G	5	M2X4	
	102	9C4320403T	C B TAP SCREW	4	M2X4	
	103	9C0117223T	SCREW	2	M1.7X2.2	
	104	9C0917703T	C TAP SCREW S3	1	M1.7X7	
	105	9C0320201T	C TAP SCREW S3	1	M2X2	
	106	9C4920013T	C TAP SCREW S3	2	M2X10	
	107	9C4920603T	C TAP SCREW B3	4	M2X6	
	108	9P0220031T	TAMS SCREW	2	M2X3	
	109	9C0314203T	C TAP SCREW	1	M1.4X2	
	110	9C0420253	C TAP SCREW	1	M2X2.5	
	113	9W0330276	NW BLUE	2	2.9X5X0.3	
	116	9W0725030T	LUMILAR W	1	2.3X9.8X0.25	
	117	9W0640030T	WASHER	1	1.4X3.2X0.4	
	130	303105310T	FEED MO ASSY	1		
	131	303105311T	SPINDLE MO ASSY	1		
	132	303105312T	FEED SCREW ASSY	1		
	133	303111301T	LDG MOTOR ASSY	1		
	134	303111302T	RDG RLR SFT ASY	1		
	135	303105502T	T.T.BASE ASSY	1		

■ Electrical parts list (Main board)

Block No. 01

△	Item	Parts number	Parts name	Remarks	Area	△	Item	Parts number	Parts name	Remarks	Area
	C 101	QERF1HM-105Z	E CAPACITOR	1.0MF 20% 50V			C 517	NCS31HJ-821X	C CAPACITOR		
	C 151	NCB31HK-102X	C CAPACITOR				C 518	NCB31AK-224X	C CAPACITOR		
	C 152	QEKJ1EM-475Z	E CAPACITOR	4.7MF 20% 25V			C 519	NCB31EK-473X	C CAPACITOR		
	C 153	NCS31HJ-151X	C CAPACITOR				C 520	NDC31HJ-470X	C CAPACITOR		
	C 155	QEKJ0JM-476Z	E CAPACITOR	47MF 20% 6.3V			C 521	NCS31HJ-391X	C CAPACITOR		
	C 201	QERF1HM-105Z	E CAPACITOR	1.0MF 20% 50V			C 522	NCB31HK-223X	C CAPACITOR		
	C 251	NCB31HK-102X	C CAPACITOR				C 523	NCB31HK-223X	C CAPACITOR		
	C 252	QEKJ1EM-475Z	E CAPACITOR	4.7MF 20% 25V			C 524	NCB31HK-102X	C CAPACITOR		
	C 253	NCS31HJ-151X	C CAPACITOR				C 525	NCB31HK-102X	C CAPACITOR		
	C 255	QEKJ0JM-476Z	E CAPACITOR	47MF 20% 6.3V			C 527	NCB31EK-223X	C CAPACITOR		
	C 256	QEKJ1AM-107Z	E CAPACITOR	100MF 20% 10V			C 541	QERF1CM-226Z	E CAPACITOR	22MF 20% 16V	
	C 302	QFLA1HJ-822Z	M CAPACITOR	8200PF 5% 50V			C 542	NCB31HK-122X	C CAPACITOR		
	C 303	QFV61HJ-184Z	MF CAPACITOR	0.18MF 5% 50V			C 543	NCB31EK-223X	C CAPACITOR		
	C 304	QFV61HJ-224Z	MF CAPACITOR	0.22MF 5% 50V			C 551	QERF1AM-227Z	E CAPACITOR	220MF 20% 10V	
	C 305	QFV61HJ-333Z	MF CAPACITOR	0.033MF 5% 50V			C 561	NCB31EK-103X	C CAPACITOR		
	C 306	QFLA1HJ-562Z	M CAPACITOR	5600PF 5% 50V			C 562	NCB31EK-103X	C CAPACITOR		
	C 307	QERF1EM-475Z	E CAPACITOR	4.7MF 20% 25V			C 563	NCB31HK-471X	C CAPACITOR		
	C 308	QERF1EM-475Z	E CAPACITOR	4.7MF 20% 25V			C 564	NCB31HK-223X	C CAPACITOR		
	C 309	QEKJ1AM-107Z	E CAPACITOR	100MF 20% 10V			C 565	NCB31HK-223X	C CAPACITOR		
	C 310	NCB31HK-103X	C CAPACITOR				C 566	NCB31AK-334X	C CAPACITOR		
	C 311	QEKJ1AM-107Z	E CAPACITOR	100MF 20% 10V			C 567	QEKJ1AM-107Z	E CAPACITOR	100MF 20% 10V	
	C 312	QEKJ1CM-476Z	E CAPACITOR	47MF 20% 16V			C 568	NCB31EK-103X	C CAPACITOR		
	C 319	NCS31HJ-221X	C CAPACITOR				C 571	NCB31EK-103X	C CAPACITOR		
	C 320	NCS31HJ-221X	C CAPACITOR				C 572	QEKJ1AM-107Z	E CAPACITOR	100MF 20% 10V	
	C 321	QERF1CM-107Z	E CAPACITOR	100MF 20% 16V			C 573	QEKJ0JM-227Z	E CAPACITOR	220MF 20% 6.3V	
	C 323	NCS31HJ-101X	C CAPACITOR				C 574	NCB31EK-103X	C CAPACITOR		
	C 324	NCS31HJ-101X	C CAPACITOR				C 701	QERF1AM-476Z	E CAPACITOR	47MF 20% 10V	
	C 325	NCS31HJ-101X	C CAPACITOR				C 702	QEKJ1HM-104Z	E CAPACITOR	0.1MF 20% 50V	
	C 326	NCS31HJ-101X	C CAPACITOR				C 703	QEKJ1HM-104Z	E CAPACITOR	0.1MF 20% 50V	
	C 327	QEKJ1EM-475Z	E CAPACITOR	4.7MF 20% 25V			C 709	NCB31HK-223X	C CAPACITOR		
	C 328	QEKJ1CM-106Z	E CAPACITOR	10MF 20% 16V			C 710	NCB31HK-223X	C CAPACITOR		
	C 329	QERF1EM-475Z	E CAPACITOR	4.7MF 20% 25V			C 711	NCB31EK-103X	C CAPACITOR		
	C 330	NCB31HK-223X	C CAPACITOR				C 712	QEKJ1HM-104Z	E CAPACITOR	0.1MF 20% 50V	
	C 331	NCB31HK-223X	C CAPACITOR				C 714	NDC31HJ-121X	C CAPACITOR		
	C 402	QFLA1HJ-822Z	M CAPACITOR	8200PF 5% 50V			C 717	NCS31HJ-221X	C CAPACITOR		
	C 403	QFV61HJ-184Z	MF CAPACITOR	0.18MF 5% 50V			C 718	NCB31HK-223X	C CAPACITOR		
	C 404	QFV61HJ-224Z	MF CAPACITOR	0.22MF 5% 50V			C 720	QERF1AM-227Z	E CAPACITOR	220MF 20% 10V	
	C 405	QFV61HJ-333Z	MF CAPACITOR	0.033MF 5% 50V			C 725	NCB31EK-103X	C CAPACITOR		
	C 406	QFLA1HJ-562Z	M CAPACITOR	5600PF 5% 50V			C 731	QERF1HM-225Z	E CAPACITOR	2.2MF 20% 50V	
	C 407	QERF1EM-475Z	E CAPACITOR	4.7MF 20% 25V			C 732	NCB31HK-102X	C CAPACITOR		
	C 408	QERF1EM-475Z	E CAPACITOR	4.7MF 20% 25V			C 733	QERF1AM-227Z	E CAPACITOR	220MF 20% 10V	
	C 419	NCS31HJ-221X	C CAPACITOR				C 801	QERF1AM-227Z	E CAPACITOR	220MF 20% 10V	
	C 420	NCS31HJ-221X	C CAPACITOR				C 802	NCB31EK-103X	C CAPACITOR		
	C 423	NCS31HJ-101X	C CAPACITOR				C 803	NDC31HJ-220X	C CAPACITOR		
	C 424	NCS31HJ-101X	C CAPACITOR				C 804	NDC31HJ-330X	C CAPACITOR		
	C 425	NCS31HJ-101X	C CAPACITOR				C 807	QERF1CM-106Z	E CAPACITOR	10MF 20% 16V	
	C 426	NCS31HJ-101X	C CAPACITOR				C 861	QEKJ0JM-227Z	E CAPACITOR	220MF 20% 6.3V	
	C 501	NCB31EK-103X	C CAPACITOR				C 862	NCB31EK-823X	C CAPACITOR		
	C 502	QEKJ1AM-107Z	E CAPACITOR	100MF 20% 10V			C 901	QEZ0518-228	E CAPACITOR	2200MF	
	C 503	NCS31HJ-680X	C CAPACITOR				C 902	NCB31HK-103X	C CAPACITOR		
	C 504	QEKJ1AM-107Z	E CAPACITOR	100MF 20% 10V			C 903	QEKJ1CM-226Z	E CAPACITOR	22MF 20% 16V	
	C 505	NCB31EK-103X	C CAPACITOR				C 904	QERF1CM-226Z	E CAPACITOR	22MF 20% 16V	
	C 506	NDC31HJ-3R0X	C CAPACITOR				C 905	QERF1CM-226Z	E CAPACITOR	22MF 20% 16V	
	C 507	NCB31EK-104X	C CAPACITOR				C 906	NCB31EK-104X	C CAPACITOR		
	C 508	QEKJ1HM-105Z	E CAPACITOR	1.0MF 20% 50V			C 907	NCB31HK-103X	C CAPACITOR		
	C 509	NDC31HJ-101X	C CAPACITOR				C 908	QERF1AM-107Z	E CAPACITOR	100MF 20% 10V	
	C 510	NCB31EK-273X	C CAPACITOR				C 909	QERF1AM-107Z	E CAPACITOR	100MF 20% 10V	
	C 511	NCB31HK-472X	C CAPACITOR				C 910	NCB31HK-103X	C CAPACITOR		
	C 512	NCB31HK-103X	C CAPACITOR				C 911	QERF1AM-227Z	E CAPACITOR	220MF 20% 10V	
	C 513	NDC31HJ-331X	C CAPACITOR				C 914	NCB31EK-104X	C CAPACITOR		
	C 514	NCB31EK-104X	C CAPACITOR				C 915	NCB11CK-225X	C CAPACITOR		
	C 515	NCB31EK-103X	C CAPACITOR				CJ321	QNN0170-001	PIN JACK (REEL)		
	C 516	QEKJ1AM-107Z	E CAPACITOR	100MF 20% 10V			CJ701	QNB0100-001	CAR ANT JACK		

■ Electrical parts list (Main board)

Block No. 01

△	Item	Parts number	Parts name	Remarks	Area
	CN501	QGB2027M1-26S	CONNECTOR		
	CN801	VMC0334-001	CONNECTOR		
	CN901	QNZ0002-001	16P CONNECTOR		
	D 321	1SS254-T2	SI DIODE		
	D 332	MA142WA-X	DIODE		
	D 551	DSK10C-T1	DIODE		
	D 701	1SS254-T2	SI DIODE		
	D 702	1SS254-T2	SI DIODE		
	D 731	MTZJ10B-T2	ZENER DIODE		
	D 791	MA142WK-X	DIODE		
	D 801	1SS254-T2	SI DIODE		
	D 810	MA142WK-X	DIODE		
	D 861	MTZJ4.7B-T2	ZENER DIODE		
	D 866	MA152WA-X	DIODE		
	D 867	MA142WK-X	DIODE		
	D 901	1N5401-TU-15	DIODE		
	D 902	SB10-03A3-T2	SB DIODE		
	D 903	1SS254-T2	SI DIODE		
	D 904	CRS03-W	SB DIODE		
	IC151	NJM4565M-WE	IC		
	IC301	TEA6320T-X	IC		
	IC321	HA13158A	IC		
	IC501	AN8806SB-W	IC		
	IC541	LA6567H-X	IC		
	IC561	MN35510	IC		
	IC801	LC72366-9989	IC		
	IC901	HA13164	IC		
	L 501	QQL231K-4R7Y	INDUCTOR		
	L 561	QQL231K-4R7Y	INDUCTOR		
	L 562	QQL231K-4R7Y	INDUCTOR		
	L 701	QQL231K-330Y	INDUCTOR		
	L 801	QQL231K-4R7Y	INDUCTOR		
	L 901	QQR0703-001	CHOKO COIL		
	Q 321	DTC114EKA-X	TRANSISTOR		
	Q 332	2SD1781K/QR/-X	TRANSISTOR		
	Q 432	2SD1781K/QR/-X	TRANSISTOR		
	Q 501	2SA1706/ST/-T	TRANSISTOR		
	Q 541	2SA1706/ST/-T	TRANSISTOR		
	Q 701	DTC114EKA-X	TRANSISTOR		
	Q 731	2SC2412K/R/-X	TRANSISTOR		
	Q 732	2SC2412K/R/-X	TRANSISTOR		
	Q 791	2SB1197K/QR/-X	TRANSISTOR		
	Q 792	2SA1037AK/RS/-X	TRANSISTOR		
	Q 793	DTC114EKA-X	TRANSISTOR		
	Q 861	DTA114EKA-X	TRANSISTOR		
	Q 902	2SC2412K/R/-X	TRANSISTOR		
	Q 903	2SA1037AK/RS/-X	TRANSISTOR		
	R 101	NRSA63J-471X	MG RESISTOR		
	R 102	NRSA63J-752X	MG RESISTOR		
	R 151	NRSA63J-183X	MG RESISTOR		
	R 152	NRS181J-123X	MG RESISTOR		
	R 153	NRS181J-273X	MG RESISTOR		
	R 154	NRSA63J-223X	MG RESISTOR		
	R 155	NRSA63J-152X	MG RESISTOR		
	R 156	NRS181J-223X	MG RESISTOR		
	R 201	NRSA63J-471X	MG RESISTOR		
	R 202	NRSA63J-752X	MG RESISTOR		
	R 251	NRS181J-183X	MG RESISTOR		
	R 252	NRSA63J-123X	MG RESISTOR		
	R 253	NRSA63J-273X	MG RESISTOR		
	R 254	NRSA63J-223X	MG RESISTOR		
	R 255	NRS181J-152X	MG RESISTOR		
	R 256	NRS181J-223X	MG RESISTOR		

△	Item	Parts number	Parts name	Remarks	Area
	R 301	NRSA63J-223X	MG RESISTOR		
	R 302	NRSA63J-222X	MG RESISTOR		
	R 303	NRSA63J-473X	MG RESISTOR		
	R 304	NRSA63J-473X	MG RESISTOR		
	R 307	NRSA63J-273X	MG RESISTOR		
	R 308	NRSA63J-273X	MG RESISTOR		
	R 321	NRSA63J-473X	MG RESISTOR		
	R 322	NRSA63J-181X	MG RESISTOR		
	R 323	NRS181J-472X	MG RESISTOR		
	R 333	NRSA63J-102X	MG RESISTOR		
	R 334	NRSA63J-101X	MG RESISTOR		
	R 336	NRSA63J-222X	MG RESISTOR		
	R 401	NRSA63J-223X	MG RESISTOR		
	R 402	NRSA63J-222X	MG RESISTOR		
	R 403	NRSA63J-473X	MG RESISTOR		
	R 404	NRSA63J-473X	MG RESISTOR		
	R 407	NRSA63J-273X	MG RESISTOR		
	R 408	NRSA63J-273X	MG RESISTOR		
	R 433	NRSA63J-102X	MG RESISTOR		
	R 434	NRSA63J-101X	MG RESISTOR		
	R 436	NRSA63J-222X	MG RESISTOR		
	R 501	NRSA63J-220X	MG RESISTOR		
	R 502	NRSA63J-220X	MG RESISTOR		
	R 503	NRS181J-102X	MG RESISTOR		
	R 504	NRSA63J-392X	MG RESISTOR		
	R 505	NRSA63J-224X	MG RESISTOR		
	R 506	NRSA63J-223X	MG RESISTOR		
	R 507	NRSA63J-332X	MG RESISTOR		
	R 508	NRSA63J-683X	MG RESISTOR		
	R 509	NRSA63J-153X	MG RESISTOR		
	R 510	NRSA63J-154X	MG RESISTOR		
	R 511	NRSA63J-274X	MG RESISTOR		
	R 512	NRSA63J-563X	MG RESISTOR		
	R 513	NRSA63J-563X	MG RESISTOR		
	R 514	NRS181J-123X	MG RESISTOR		
	R 515	NRSA63J-123X	MG RESISTOR		
	R 516	NRSA63J-123X	MG RESISTOR		
	R 517	NRSA63J-123X	MG RESISTOR		
	R 541	NRSA63J-102X	MG RESISTOR		
	R 542	NRSA63J-822X	MG RESISTOR		
	R 543	NRSA63J-303X	MG RESISTOR		
	R 544	NRSA63J-332X	MG RESISTOR		
	R 545	NRSA63J-123X	MG RESISTOR		
	R 546	NRSA63J-563X	MG RESISTOR		
	R 547	NRSA63J-154X	MG RESISTOR		
	R 548	NRSA63J-822X	MG RESISTOR		
	R 549	NRSA63J-203X	MG RESISTOR		
	R 550	NRSA63J-123X	MG RESISTOR		
	R 551	NRSA63J-822X	MG RESISTOR		
	R 560	NRS181J-101X	MG RESISTOR		
	R 561	NRS181J-102X	MG RESISTOR		
	R 562	NRS181J-102X	MG RESISTOR		
	R 563	NRS181J-102X	MG RESISTOR		
	R 564	NRS181J-102X	MG RESISTOR		
	R 567	NRS181J-102X	MG RESISTOR		
	R 568	NRS181J-102X	MG RESISTOR		
	R 569	NRSA63J-102X	MG RESISTOR		
	R 570	NRSA63J-102X	MG RESISTOR		
	R 571	NRSA63J-683X	MG RESISTOR		
	R 572	NRSA63J-105X	MG RESISTOR		
	R 573	NRSA63J-124X	MG RESISTOR		
	R 574	NRSA63J-331X	MG RESISTOR		
	R 701	NRSA63J-102X	MG RESISTOR		

■ Electrical parts list (Main board)

Block No. 01

▲	Item	Parts number	Parts name	Remarks	Area
	R 702	NRSA63J-0R0X	MG RESISTOR		
	R 703	NRSA63J-102X	MG RESISTOR		
	R 704	NRSA63J-0R0X	MG RESISTOR		
	R 705	NRSA63J-103X	MG RESISTOR		
	R 708	NRSA63J-822X	MG RESISTOR		
	R 725	NRSA63J-820X	MG RESISTOR		
	R 731	NRS181J-152X	MG RESISTOR		
	R 732	NRSA63J-102X	MG RESISTOR		
	R 733	NRSA63J-103X	MG RESISTOR		
	R 734	NRS181J-471X	MG RESISTOR		
	R 791	NRSA63J-103X	MG RESISTOR		
	R 792	NRSA63J-102X	MG RESISTOR		
	R 793	NRSA63J-103X	MG RESISTOR		
	R 794	NRSA63J-222X	MG RESISTOR		
	R 795	NRS181J-150X	MG RESISTOR		
	R 796	NRS181J-150X	MG RESISTOR		
	R 797	NRSA63J-100X	MG RESISTOR		
	R 798	NRSA63J-223X	MG RESISTOR		
	R 801	NRS181J-103X	MG RESISTOR		
	R 803	NRS181J-332X	MG RESISTOR		
	R 804	NRS181J-332X	MG RESISTOR		
	R 805	NRS181J-332X	MG RESISTOR		
	R 807	NRS181J-473X	MG RESISTOR		
	R 808	NRS181J-102X	MG RESISTOR		
	R 809	NRS181J-103X	MG RESISTOR		
	R 810	NRSA63J-104X	MG RESISTOR		
	R 811	NRSA63J-332X	MG RESISTOR		
	R 812	NRSA63J-332X	MG RESISTOR		
	R 813	NRSA63J-473X	MG RESISTOR		
	R 814	NRSA63J-473X	MG RESISTOR		
	R 815	NRSA63J-473X	MG RESISTOR		
	R 816	NRSA63J-473X	MG RESISTOR		
	R 817	NRS181J-472X	MG RESISTOR		
	R 818	NRS181J-473X	MG RESISTOR		
	R 822	NRSA63J-222X	MG RESISTOR		
	R 823	NRSA63J-473X	MG RESISTOR		
	R 825	NRS181J-473X	MG RESISTOR		
	R 826	NRSA63J-473X	MG RESISTOR		
	R 827	NRSA63J-473X	MG RESISTOR		
	R 828	NRSA63J-473X	MG RESISTOR		
	R 829	NRS181J-473X	MG RESISTOR		
	R 830	NRS181J-223X	MG RESISTOR		
	R 831	NRSA63J-472X	MG RESISTOR		
	R 832	NRS181J-223X	MG RESISTOR		
	R 833	NRSA63J-472X	MG RESISTOR		
	R 834	NRS181J-223X	MG RESISTOR		
	R 835	NRS181J-472X	MG RESISTOR		
	R 836	NRSA63J-473X	MG RESISTOR		
	R 861	NRS181J-471X	MG RESISTOR		
	R 862	NRS181J-471X	MG RESISTOR		
	R 902	QRZ0125-472X	C RESISTOR	4.7K 1/1W	
	R 903	NRSA63J-202X	MG RESISTOR		
	R 904	NRSA63J-104X	MG RESISTOR		
	R 905	NRSA63J-472X	MG RESISTOR		
	R 906	NRSA63J-472X	MG RESISTOR		
	R 907	NRSA63J-393X	MG RESISTOR		
	R 908	NRSA63J-683X	MG RESISTOR		
	R 909	NRSA63J-273X	MG RESISTOR		
	R 910	NRSA63J-473X	MG RESISTOR		
	R 911	NRS181J-473X	MG RESISTOR		
	TU701	QAU0205-001	TUNER PACK		
	X 561	QAX0657-001Z	C RESONATOR		
	X 801	QAX0406-001Z	CRYSTAL		

■ Electrical parts list (LCD & key control board)Block No. 02

△	Item	Parts number	Parts name	Remarks	Area
	C 601	NCB21HK-223X	C CAPACITOR		
	C 602	NCS31HJ-681X	C CAPACITOR		
	C 603	NBE20JM-106X	E CAPACITOR		
	CJ601	VMC0335-001	CONNECTOR		
	D 601	LNJ308G81/1-3/X	LED		
	D 602	LNJ308G81/1-3/X	LED		
	D 603	LNJ308G81/1-3/X	LED		
	D 604	LNJ308G81/1-3/X	LED		
	D 605	LNJ308G81/1-3/X	LED		
	D 606	LNJ308G81/1-3/X	LED		
	D 607	LNJ308G81/1-3/X	LED		
	D 608	LNJ308G81/1-3/X	LED		
	D 609	LNJ308G81/1-3/X	LED		
	D 610	LNJ308G81/1-3/X	LED		
	D 611	LNJ308G81/1-3/X	LED		
	D 612	LNJ308G81/1-3/X	LED		
	D 613	LNJ308G81/1-3/X	LED		
	D 614	LNJ308G81/1-3/X	LED		
	D 615	LNJ308G81/1-3/X	LED		
	D 616	LNJ308G81/1-3/X	LED		
	D 617	LNJ308G81/1-3/X	LED		
	D 618	LNJ308G81/1-3/X	LED		
	D 619	LNJ308G81/1-3/X	LED		
	D 620	LNJ308G81/1-3/X	LED		
	D 621	SML-310LT/MN/-X	LED	POWER LED	
	D 641	MA3051/M/-X	ZENER DIODE		
	D 642	MA152WK-X	SI DIODE		
	IC601	LC75823W	IC		
	PL601	QLL0056-001	PILOT LAMP		
	PL602	QLL0056-001	PILOT LAMP		
	R 601	NRSA02J-681X	MG RESISTOR		
	R 602	NRSA63J-511X	MG RESISTOR		
	R 603	NRSA02J-681X	MG RESISTOR		
	R 604	NRSA02J-911X	MG RESISTOR		
	R 605	NRSA02J-122X	MG RESISTOR		
	R 606	NRSA02J-681X	MG RESISTOR		
	R 607	NRSA63J-511X	MG RESISTOR		
	R 608	NRSA63J-681X	MG RESISTOR		
	R 609	NRSA63J-911X	MG RESISTOR		
	R 610	NRSA63J-122X	MG RESISTOR		
	R 611	NRSA63J-152X	MG RESISTOR		
	R 612	NRSA02J-222X	MG RESISTOR		
	R 613	NRSA63J-681X	MG RESISTOR		
	R 614	NRSA63J-511X	MG RESISTOR		
	R 615	NRSA02J-681X	MG RESISTOR		
	R 616	NRSA63J-911X	MG RESISTOR		
	R 617	NRSA02J-122X	MG RESISTOR		
	R 618	NRSA02J-152X	MG RESISTOR		
	R 631	NRSA02J-821X	MG RESISTOR		
	R 632	NRSA02J-271X	MG RESISTOR		
	R 633	NRSA02J-271X	MG RESISTOR		
	R 634	NRSA02J-271X	MG RESISTOR		
	R 635	NRSA02J-271X	MG RESISTOR		
	R 636	NRSA02J-271X	MG RESISTOR		
	R 637	NRSA02J-271X	MG RESISTOR		
	R 638	NRSA02J-271X	MG RESISTOR		
	R 639	NRSA02J-271X	MG RESISTOR		
	R 640	NRSA02J-271X	MG RESISTOR		
	R 641	NRSA02J-271X	MG RESISTOR		
	R 651	NRSA63J-222X	MG RESISTOR		
	R 652	NRSA63J-222X	MG RESISTOR		
	R 653	NRSA63J-103X	MG RESISTOR		
	R 654	NRSA63J-103X	MG RESISTOR		

△	Item	Parts number	Parts name	Remarks	Area
	R 655	NRSA63J-103X	MG RESISTOR		
	R 656	NRSA02J-103X	MG RESISTOR		
	R 657	NRSA63J-513X	MG RESISTOR		
	R 658	NRSA63J-184X	MG RESISTOR		
	S 601	NSW0124-001X	TACT SWITCH	POWER	
	S 602	NSW0124-001X	TACT SWITCH	VOL UP	
	S 603	NSW0124-001X	TACT SWITCH	VOL DOWN	
	S 604	NSW0124-001X	TACT SWITCH	LOUD	
	S 605	NSW0124-001X	TACT SWITCH	MO	
	S 606	NSW0124-001X	TACT SWITCH	DOWN	
	S 607	NSW0124-001X	TACT SWITCH	SELECT	
	S 608	NSW0124-001X	TACT SWITCH	UP	
	S 609	NSW0124-001X	TACT SWITCH	1	
	S 610	NSW0124-001X	TACT SWITCH	2	
	S 611	NSW0124-001X	TACT SWITCH	3	
	S 612	NSW0124-001X	TACT SWITCH	4	
	S 613	NSW0124-001X	TACT SWITCH	5	
	S 614	NSW0124-001X	TACT SWITCH	EJECT	
	S 615	NSW0124-001X	TACT SWITCH	6	
	S 616	NSW0124-001X	TACT SWITCH	DISPLAY	
	S 617	NSW0124-001X	TACT SWITCH	SCAN	
	S 618	NSW0124-001X	TACT SWITCH	SOUND	
	S 619	NSW0124-001X	TACT SWITCH	AM	
	S 620	NSW0124-001X	TACT SWITCH	FM	
	S 621	NSW0124-001X	TACT SWITCH	CD	

< MEMO >

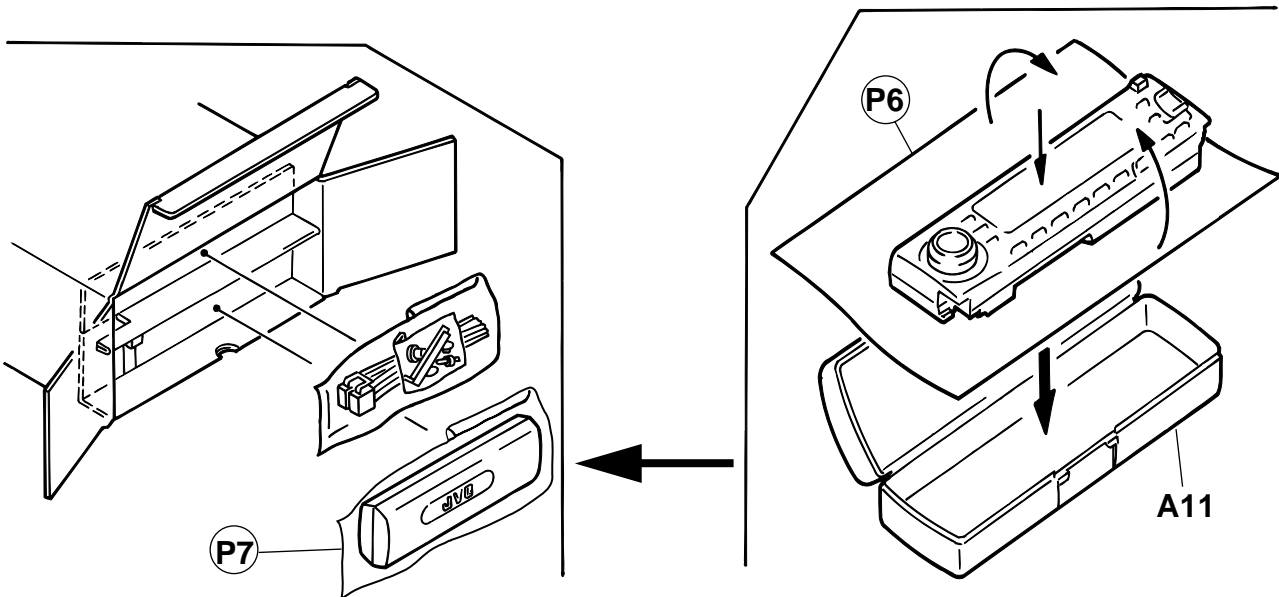
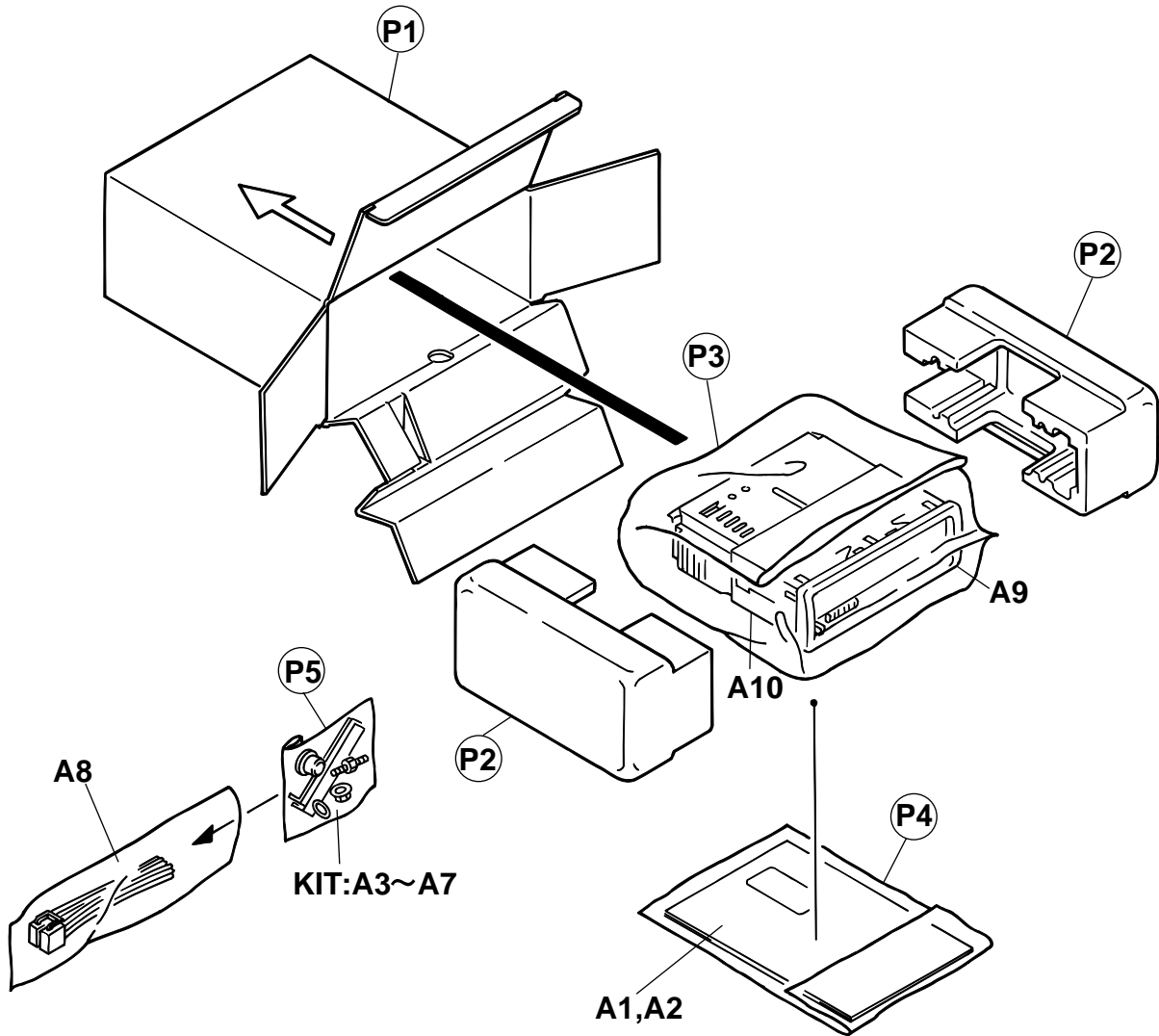
Packing materials and accessories parts list

Block No.

M	3	M	M
---	---	---	---

Block No.

M	4	M	M
---	---	---	---



■ Parts list (Packing)
Block No. M3MM

△	Item	Parts number	Parts name	Q'ty	Description	Area
	P 1	GE30123-030A	CARTON	1		
	P 2	GE10008-001A	EPS CUSHION	2		
	P 3	QPC03004315P	POLY BAG	1	SET	
	P 4	FSPG4002-001	POLY BAG	1	INSTRUCTIONS	
	P 5	QPA00801205	POLY BAG	1	KIT	
	P 6	FSYH4036-068	SHEET	1		
	P 7	QPA01003003	POLY BAG	1	HARD CASE	

■ Parts list (Accessories)
Block No. M4MM

△	Item	Parts number	Parts name	Q'ty	Description	Area
	A 1	GET0004-001A	INSTRUCTIONS	1	ENG,CHI,ARA,THA	
	A 2	GET0004-002A	INSTALL MANUAL	1	ENG,CHI,ARA	
	A 3	VKZ4027-202	PLUG NUT	1		
	A 4	VKH4871-001SS	MOUNT BOLT	1		
	A 5	VKZ4328-001	LOCK NUT	1	FOR M5	
	A 6	WNS5000Z	WASHER	1		
	A 7	FSKL4010-002	HOOK	2		
	A 8	QAM0013-006	16P CORD ASS'Y	1		
	A 9	FSJD2034-004	TRIM PLATE	1		
	A 10	FSKM2004-202	MOUNTING SLEEVE	1		
	A 11	FSJB3001-30C	HARD CASE	1		
	KIT	KDGS717K-SCREW1	SCREW PARTS KIT	1	A3-A7	